



AIR SPRINGS

REPLACEMENT GUIDE

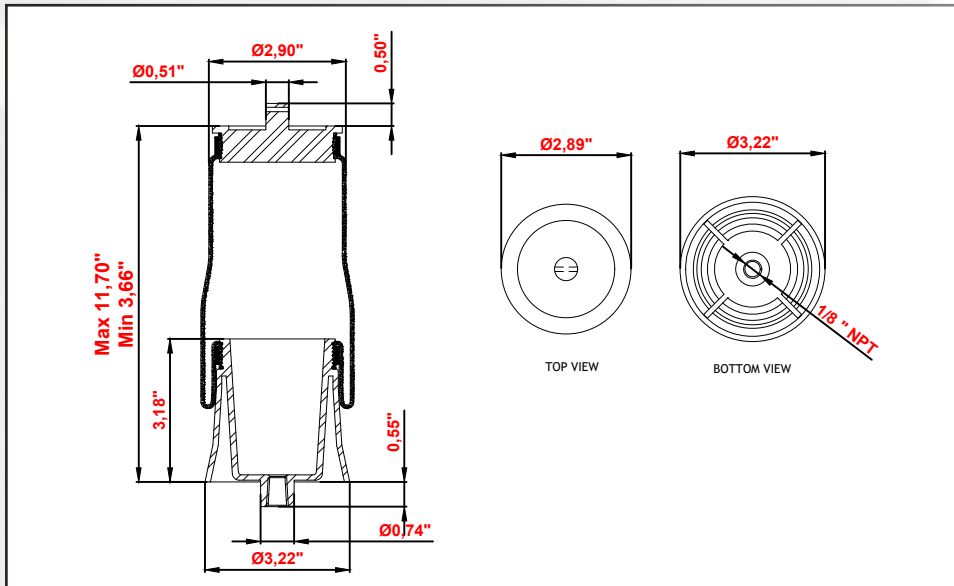


- **REVERSIBLE SLEEVE** - *provides smooth, long-travel suspension*
- **ROLLING LOBE** - *provides smooth compression and rebound*
- **CONVOLUTED** - *supports weight and cushions movement*
- **CABIN** - *supports and cushions the truck's cab*

F7059 Cab Sleeve

Top Mounting Type	Bottom Mounting Type
Stud	Piston

Extended Length	Compressed Length	Weight
11.7 inch	3.66 inch	1.01 lbs



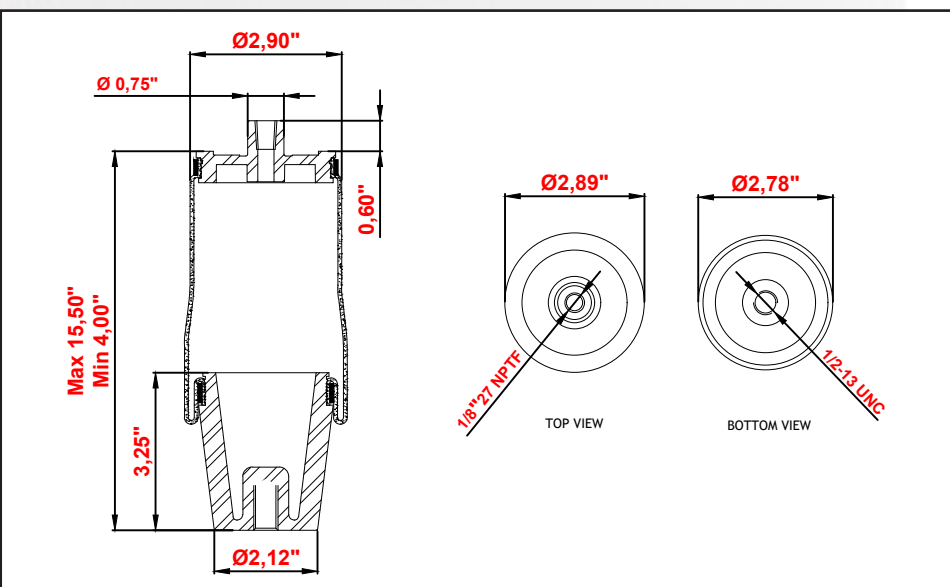
Bellows Diameter	2.9 inch
Piston Height	3.18 inch
Piston Width	3.22 inch
Top Plate Width	2.89 inch

Cross Reference	
Firestone	W02-358-7059
Automann	ABSZ70-7059
OEM	324663-01
	520365009
	1696990C91
	1658321C91
	329666-01
	FS7059

F7081 for Select Navistar Trucks

Top Mounting Type	Bottom Mounting Type
Stud	Piston

Extended Length	Compressed Length	Weight
15.5 inch	4 inch	1.43 lbs



Bellows Diameter	2.9 inch
Piston Height	3.25 inch
Piston Width	2.78 inch
Top Plate Width	2.89 inch

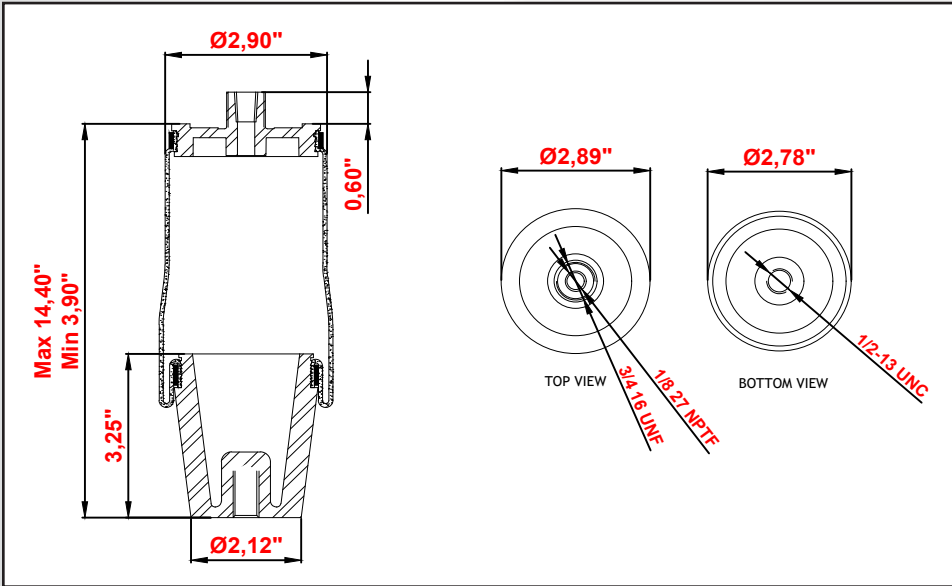
Cross Reference	
Firestone	W02-358-7081
Goodyear	1S5-038
Contitech	69996
	SC29-Y081
Automann	ABSZ70 7081
OEM	11010043
	11020076
	1103A043
	2501300C1

F7012 Cab Sleeve



Top Mounting Type	Bottom Mounting Type
Stud	Piston

Extended Length	Compressed Length	Weight
14.4 inch	3.9 inch	1.5 lbs



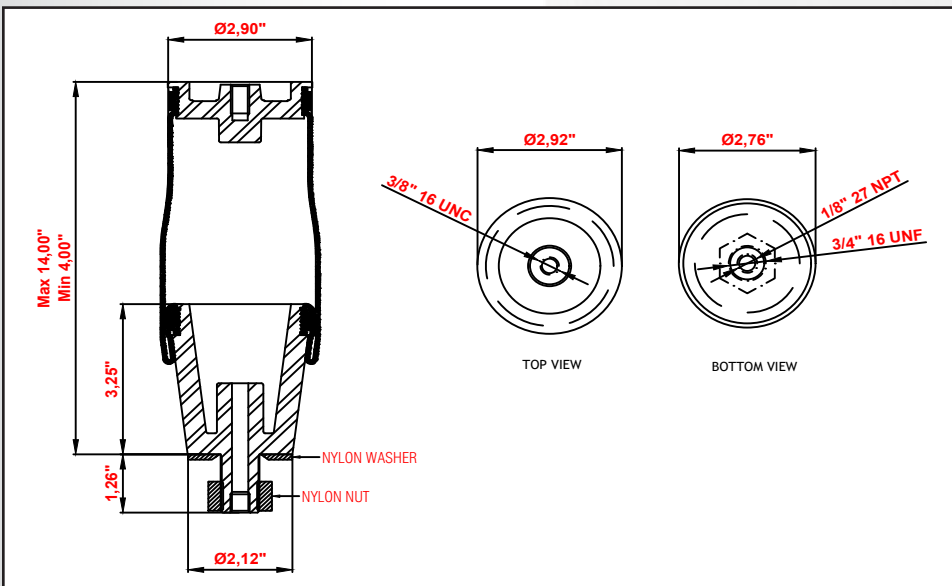
Bellows Diameter	2.90 inch
Piston Height	3.25 inch
Piston Width	2.78 inch
Top Plate Width	2.89 inch

Cross Reference	
Firestone	W02-358-7012
Goodyear	1S4-008 1S5-005
Automann	ABSZ70-7012
OEM	1102-0040 353-7012 FS7012

F7036 Cab Sleeve

Top Mounting Type	Bottom Mounting Type
Stud	Piston

Extended Length	Compressed Length	Weight
14 inch	4 inch	1.46 lbs



Bellows Diameter	2.90 inch
Piston Height	3.25 inch
Piston Width	2.78 inch
Top Plate Width	2.92 inch

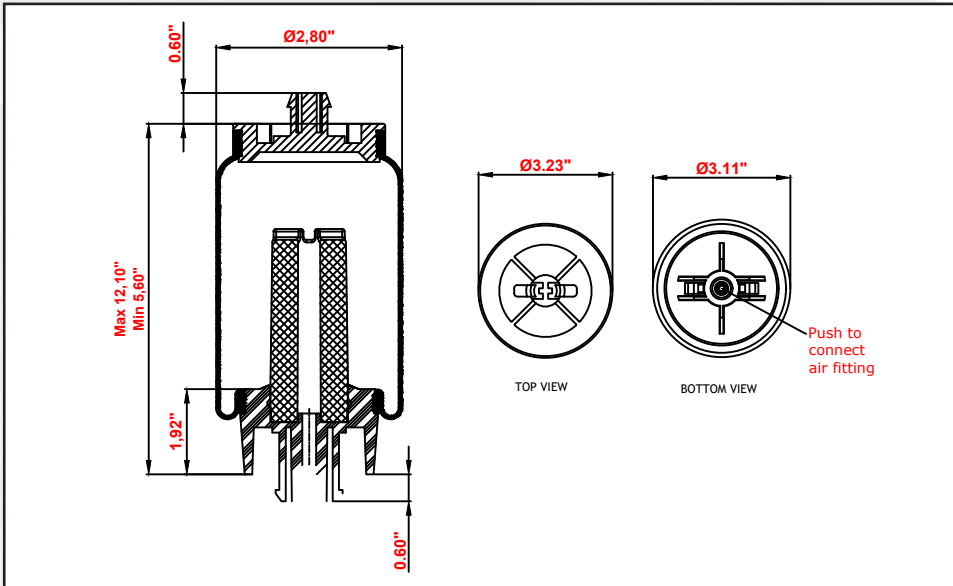
Cross Reference	
Firestone	W02-358-7036
Goodyear	1S5-186
Contitech	68162 SC29-Y036
Automann	ABSZ70-7036
OEM	29-03200 AS7036 CB7036 T816000

CABIN

F7215 Cab Sleeve

Top Mounting Type	Bottom Mounting Type
Stud	Piston

Extended Length	Compressed Length	Weight
12.1 inch	5.6 inch	1.52 lbs



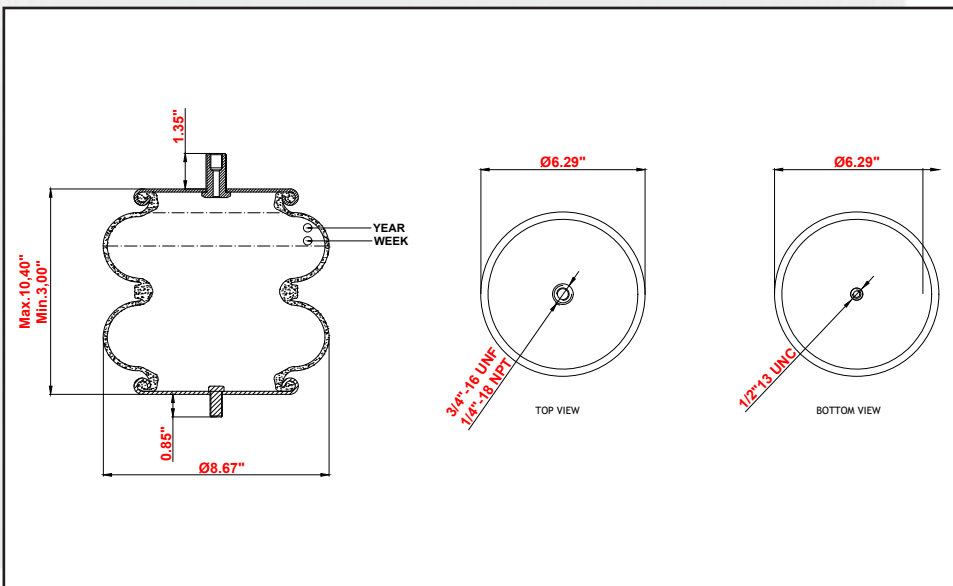
Bellows Diameter	2.80 inch
Piston Height	1.92 inch
Piston Width	3.11 inch
Top Plate Width	3.23 inch

Cross Reference	
Firestone	W02-358-7207 W02-358-7215
Goodyear	1S5-175
Contitech	68161 SC31-Y215
Automann	ABSZ70-7215
OEM	1852651000 1840977000 FIW023587215 SC31B207 W023777215 AS7215

F6897 Double Convoluted

Top Mounting Type	Bottom Mounting Type
Stud	Stud

Extended Length	Compressed Length	Weight
10.4 inch	3.0 inch	6.24 lbs



Bellows Diameter	8.67 inch
Piston Height	
Piston Width	6.29 inch
Top Plate Width	6.29 inch

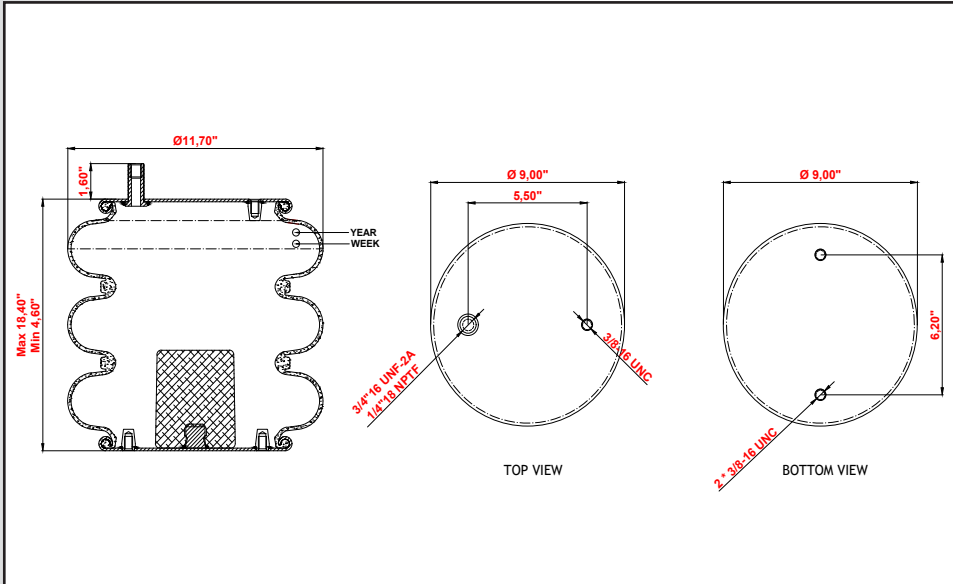
Cross Reference	
Firestone	W01-358-6897
Goodyear	2B9-229
Contitech	64517 FD200-19505
Automann	SP2B12R-6897
OEM	2B9-490 AS6897

F8032 Triple Convoluted



Top Mounting Type	Bottom Mounting Type
Stud	Stud

Extended Length	Compressed Length	Weight
18.4 inch	4.6 inch	15.3 lbs



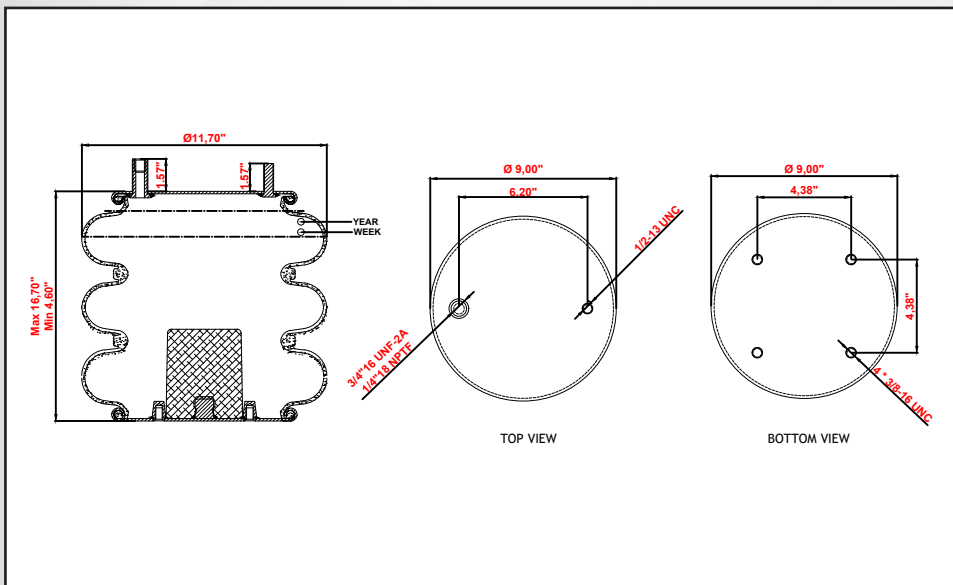
Bellows Diameter	11.7 inch
Piston Height	
Piston Width	9.0 inch
Top Plate Width	9.0 inch

Cross Reference	
Firestone	W01-358-8032
Goodyear	3B12-319
Contitech	64560 FT330-29413
Automann	SP3B22R-8032
OEM	S-12405 C-12045 AS8032

F8033 Triple Convoluted

Top Mounting Type	Bottom Mounting Type
Stud	Stud

Extended Length	Compressed Length	Weight
16.7 inch	4.6 inch	15.65 lbs



Bellows Diameter	11.7 inch
Piston Height	
Piston Width	9.0 inch
Top Plate Width	9.0 inch

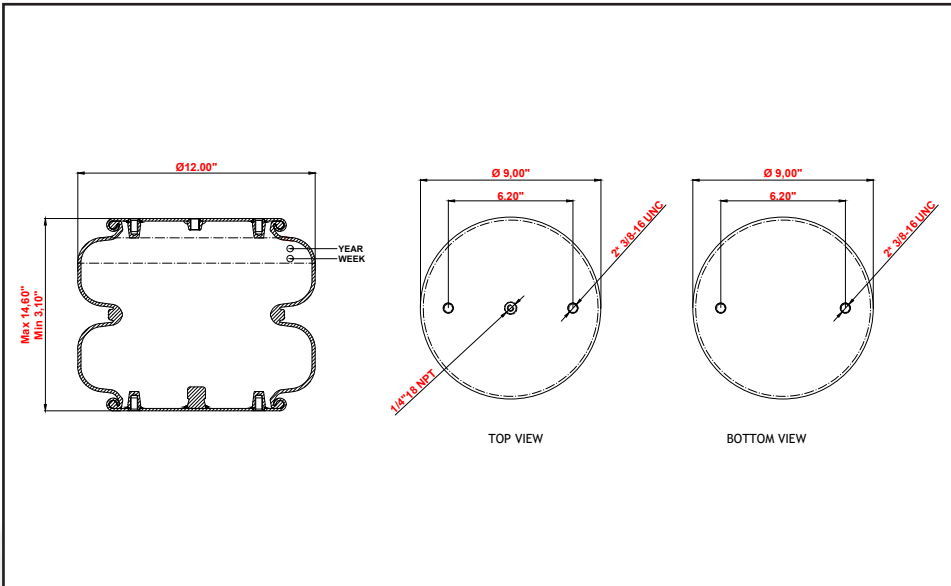
Cross Reference	
Firestone	W01-358-8033
Goodyear	3B12-312
Contitech	64571 FT330-29525 67904 FT330-29714
Automann	SP3B22R-8033 SP3B22R-C714
OEM	B-14487 S-14487 AS8033

CONVOLUTED

F7443 Double Convoluted

Top Mounting Type	Bottom Mounting Type
Stud	Stud

Extended Length	Compressed Length	Weight
14.6 inch	3.1 inch	11.62 lbs



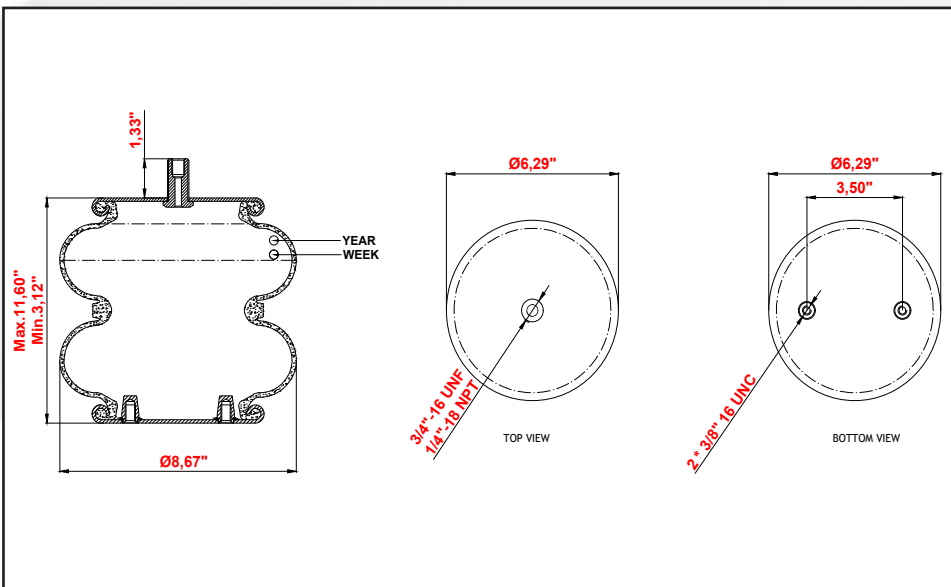
Bellows Diameter	12 inch
Piston Height	
Piston Width	9.0 inch
Top Plate Width	9.0 inch

Cross Reference	
Firestone	W01-358-7443
Goodyear	2B12-305
Contitech	64531 FD330-30323
Automann	SP2B22RA-7443
OEM	57007443 554786C1 S-13035 AS7443

F7897 Double Convoluted

Top Mounting Type	Bottom Mounting Type
Stud	Stud

Extended Length	Compressed Length	Weight
11.6 inch	3.12 inch	6.39 lbs



Bellows Diameter	8.67 inch
Piston Height	
Piston Width	6.29 inch
Top Plate Width	6.29 inch

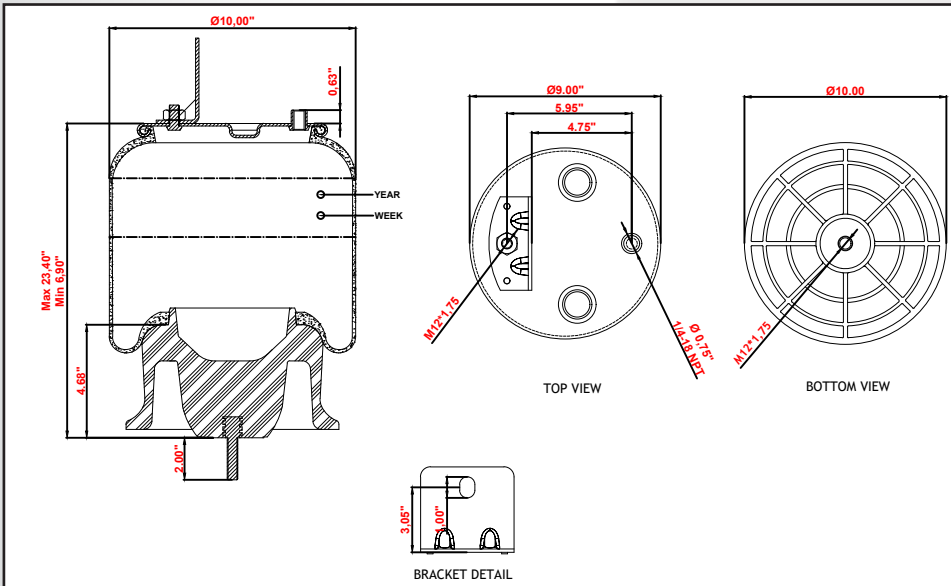
Cross Reference	
Firestone	W01-358-7897
Goodyear	2B9-495
Contitech	64683 FD200-23A709
OEM	910-175A802 S-23114

F1191 for Navistar/International Trucks



Top Mounting Type	Bottom Mounting Type
Bracket + Stud	Piston

Extended Length	Compressed Length	Weight
23.4 inch	6.9 inch	14.22 lbs



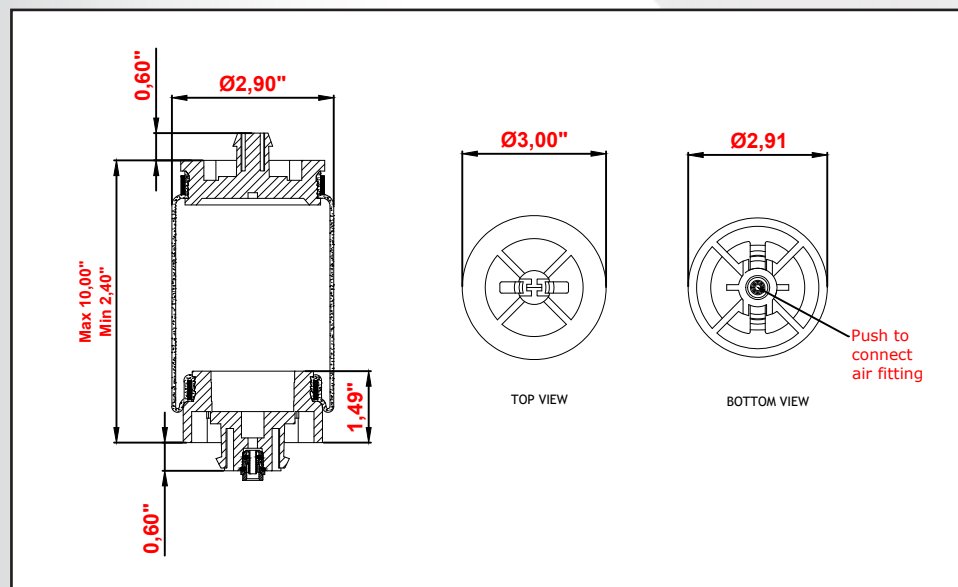
Bellows Diameter	10 inch
Piston Height	4.68 inch
Piston Width	10 inch
Top Plate Width	9 inch

Cross Reference	
Firestone	W01-358-1191 W01-358-1192
Goodyear	1R12-432 1R12-689
Contitech	73746 910B-195P889 910S-18P1067
Automann	AB1DF23I-P1067
OEM	350243C94 3541731C1 1R12-432

F7109 for Kenworth Aerocab Mid 1999 & Later Model Trucks

Top Mounting Type	Bottom Mounting Type
Stud	Piston

Extended Length	Compressed Length	Weight
10 inch	2.4 inch	0.9 lbs



Bellows Diameter	2.9 inch
Piston Height	1.49 inch
Piston Width	2.91 inch
Top Plate Width	3 inch

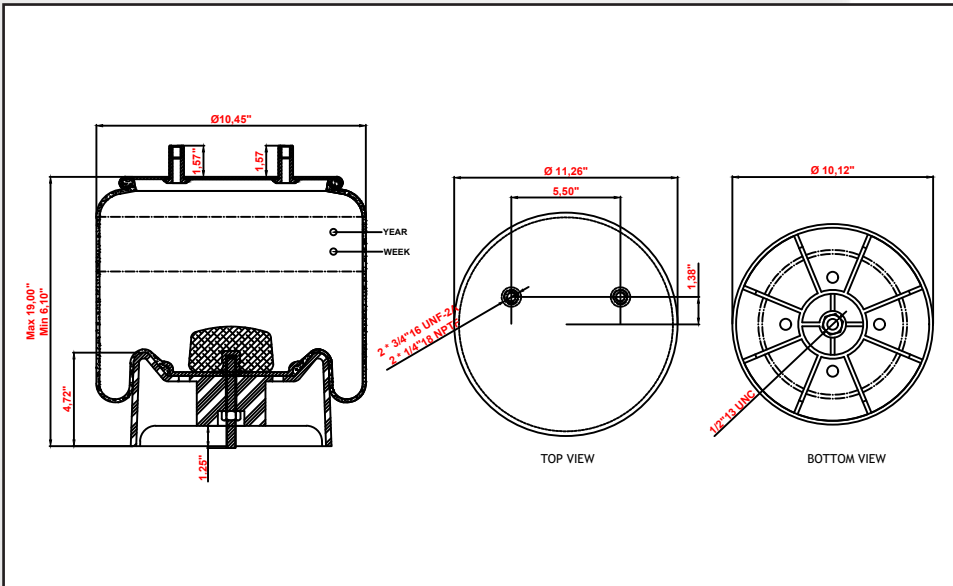
Cross Reference	
Firestone	W02-358-7109
Goodyear	1S5-224
Contitech	69624 SC29-Y109
Automann	ABSZ70-7109
OEM	T811000 11020077 1104K002 AS5109 S23983

REVERSIBLE SLEEVE

F8091 for Hendrickson 20901 and 21784, Hendrickson Intraax

Top Mounting Type	Bottom Mounting Type
Stud	Piston

Extended Length	Compressed Length	Weight
19 inch	6.1 inch	16.89 lbs



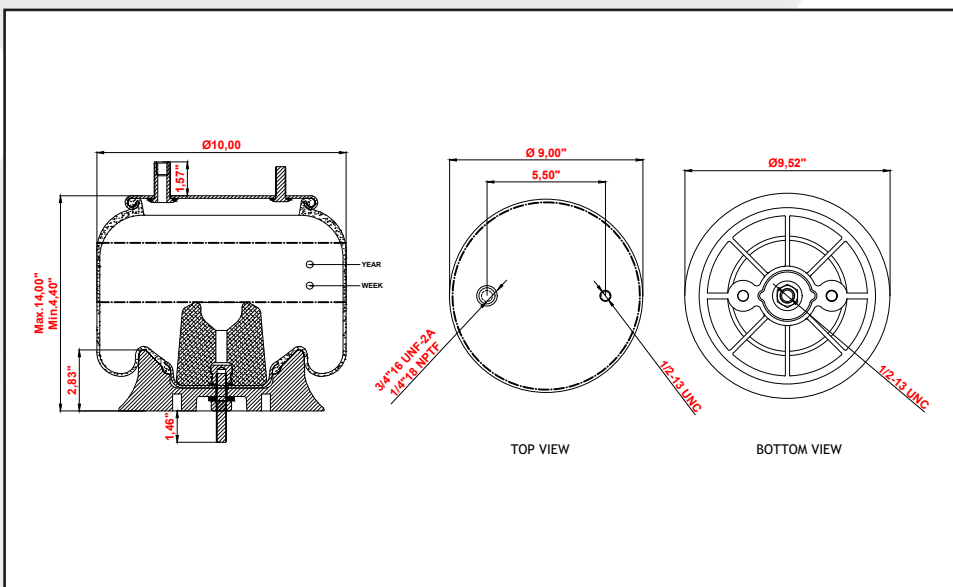
Bellows Diameter	10.45 inch
Piston Height	4.72 inch
Piston Width	10.12 inch
Top Plate Width	11.26 inch

Cross Reference	
Firestone	W01-358-8091
Goodyear	1R14-171 1R14-242
Contitech	64421 1110.5A-16P523
Automann	1DK28E-8091
OEM	A2258P1576 C-20901 C-21784 S-21784 AS8091

F8204

Top Mounting Type	Bottom Mounting Type
Stud	Piston

Extended Length	Compressed Length	Weight
14 inch	4.4 inch	11.16 lbs



Bellows Diameter	10 inch
Piston Height	2.83 inch
Piston Width	9.52 inch
Top Plate Width	9.0 inch

Cross Reference	
Firestone	W01-358-8204
Goodyear	1R12-508 1R12-522
Contitech	64456 910-12P484
Automann	1DK23H-8204
OEM	90557173 90557223 AS8204 XDSPN05360

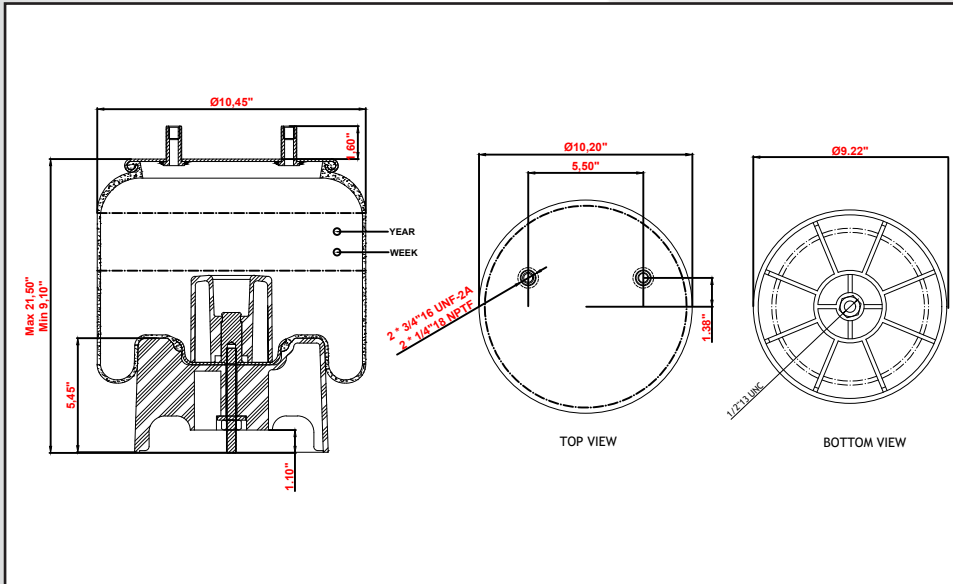
REVERSIBLE SLEEVE

F8708



Top Mounting Type	Bottom Mounting Type
Stud	Piston

Extended Length	Compressed Length	Weight
21.5 inch	9.1 inch	14.55 lbs



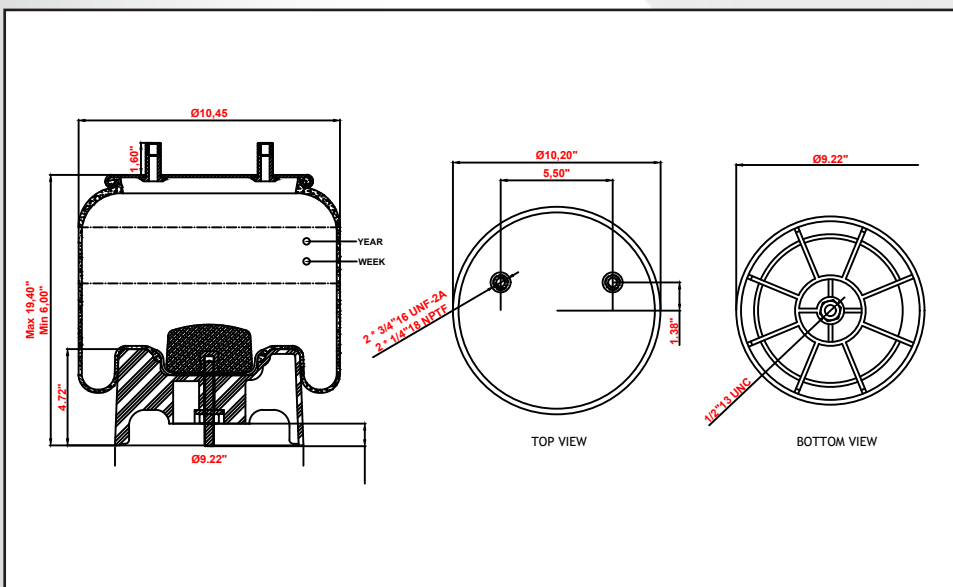
Bellows Diameter	10.45 inch
Piston Height	5.45 inch
Piston Width	9.22 inch
Top Plate Width	10.2 inch

Cross Reference	
Firestone	W02-358-7088 W01-358-8708
Goodyear	1R13-128 1R13-177 1R13-250
Contitech	64638 1010-16P526
Automann	1DK25E-8708
OEM	S21966 C-21966 AS8708

F8709 for Hendrickson Suspension

Top Mounting Type	Bottom Mounting Type
Stud	Piston

Extended Length	Compressed Length	Weight
19.4 inch	6 inch	13.5 lbs



Bellows Diameter	10.45 inch
Piston Height	4.72 inch
Piston Width	9.22 inch
Top Plate Width	10.2 inch

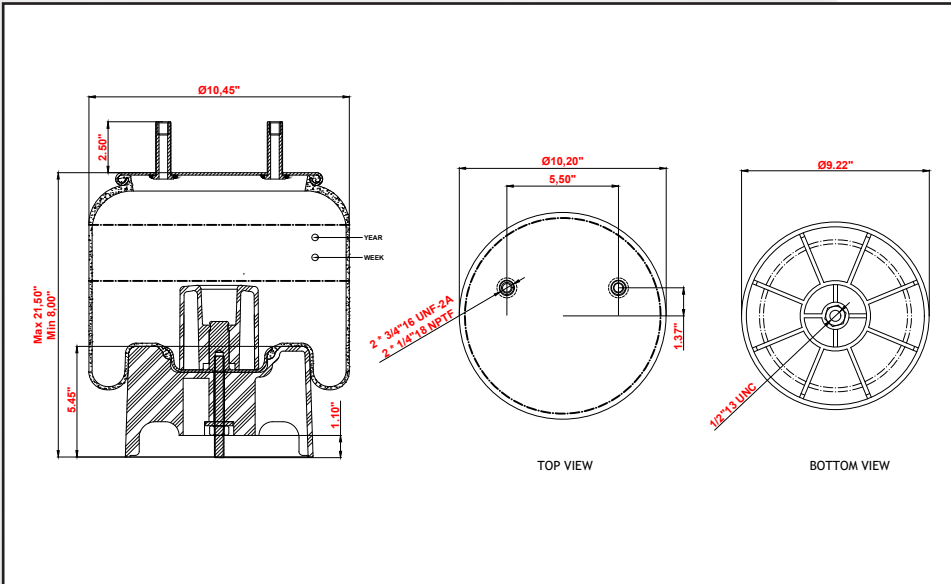
Cross Reference	
Firestone	W01-358-8709
Goodyear	1R13-159 1R13-249
Contitech	64645 1010.5-15P460
Automann	1DK25A-8709
OEM	S-2900 S-21800 C-21800 AS8709

REVERSIBLE SLEEVE

F8713 for Hendrickson Suspension

Top Mounting Type	Bottom Mounting Type
Stud	Piston

Extended Length	Compressed Length	Weight
21.5 inch	8 inch	14.46 lbs



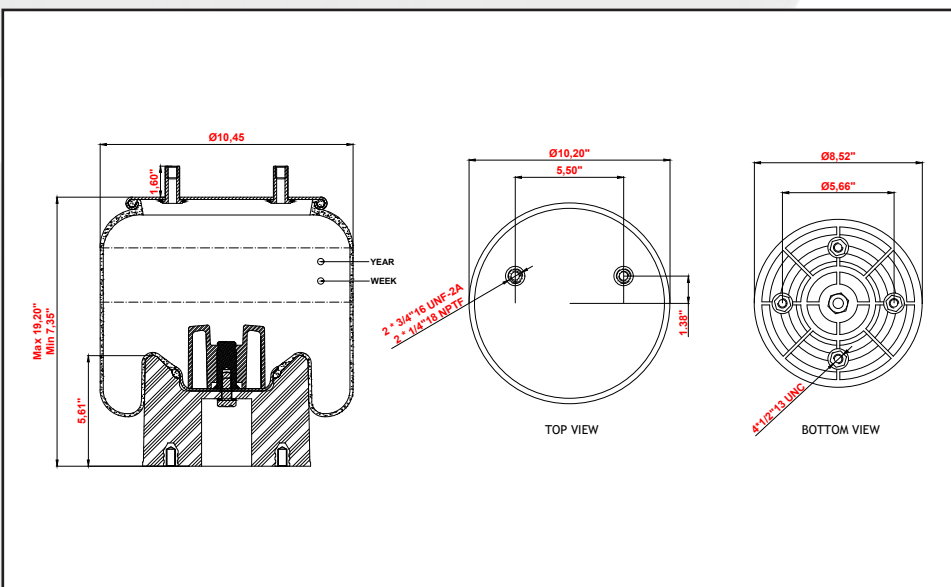
Bellows Diameter	10.45 inch
Piston Height	5.45 inch
Piston Width	9.22 inch
Top Plate Width	10.2 inch

Cross Reference	
Firestone	W01-358-8713
Goodyear	1R13-176
Contitech	64636 1010-16P533
Automann	1DK25E-8713
OEM	101016S533 C-22948 S-22948 AS8713

F8755 for Hendrickson Suspension

Top Mounting Type	Bottom Mounting Type
Stud	Piston

Extended Length	Compressed Length	Weight
19.2 inch	7.35 inch	13.89 lbs



Bellows Diameter	10.45 inch
Piston Height	5.61 inch
Piston Width	8.52 inch
Top Plate Width	10.2 inch

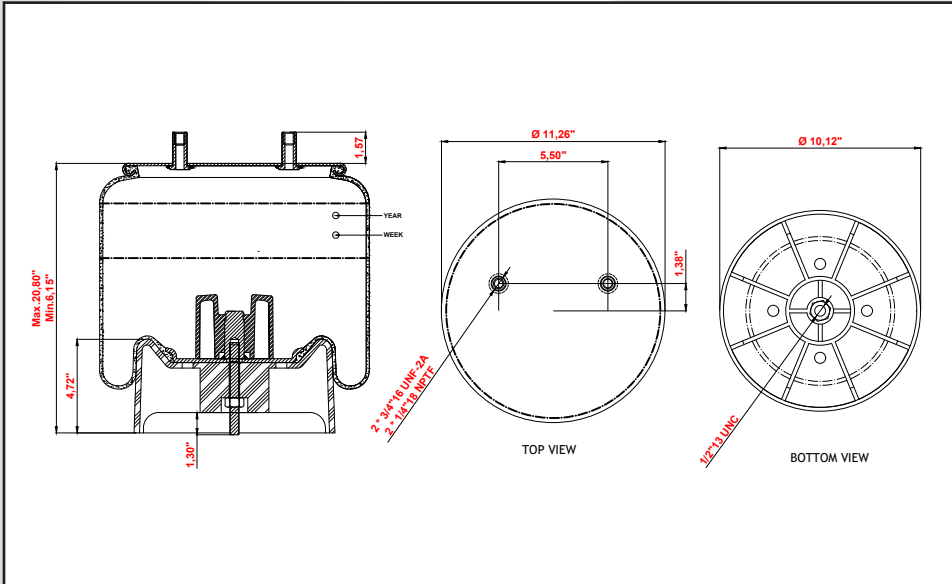
Cross Reference	
Firestone	W01-358-8755
Goodyear	1R13-124
Contitech	64397 1010-15P522
Automann	1DK25B-8755
OEM	C22045 C-21623 S22045 S-21623 AS8755

F8774



Top Mounting Type	Bottom Mounting Type
Stud	Piston

Extended Length	Compressed Length	Weight
20.8 inch	6.15 inch	16.62 lbs



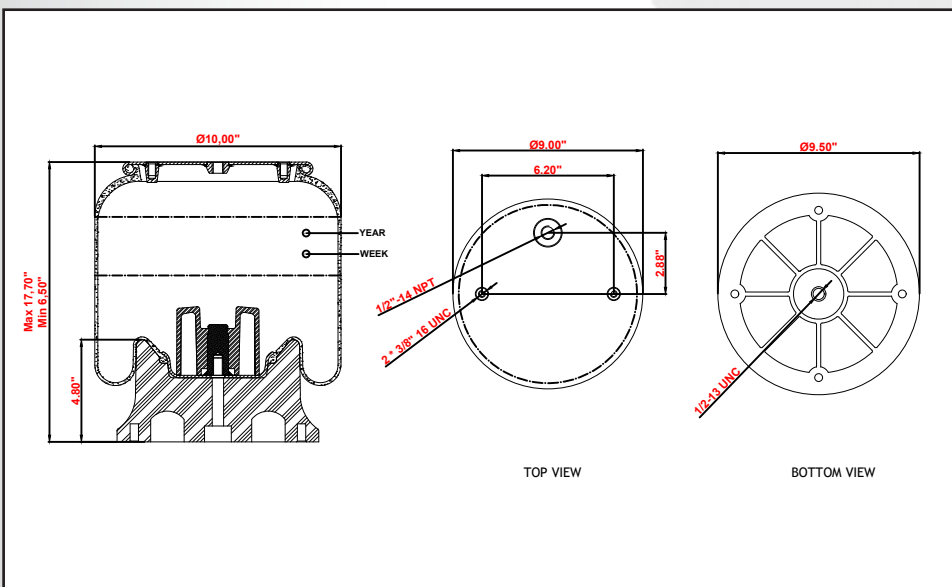
Bellows Diameter	10.45 inch
Piston Height	4.72 inch
Piston Width	10.12 inch
Top Plate Width	11.26 inch

Cross Reference	
Firestone	W01-358-8774
Goodyear	1R14-172 1R14-190
Contitech	65593 1110.5-F17P745
Automann	1DK28M-8774
OEM	C-258873 S-25873

F8813 for Peterbilt Trucks

Top Mounting Type	Bottom Mounting Type
Stud	Piston

Extended Length	Compressed Length	Weight
17.7 inch	6.5 inch	12.74 lbs



Bellows Diameter	10 inch
Piston Height	4.8 inch
Piston Width	9.5 inch
Top Plate Width	9.0 inch

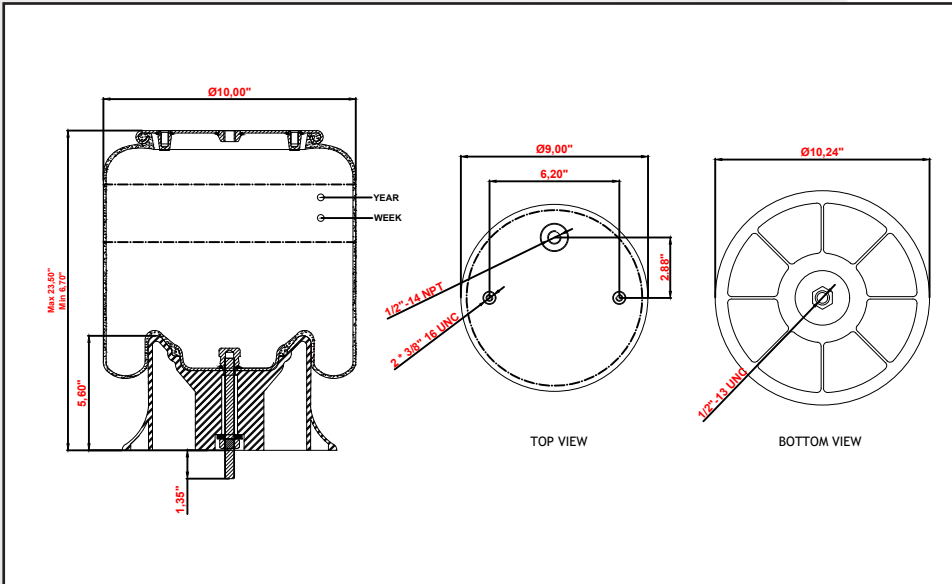
Cross Reference	
Firestone	W01-358-8813
Goodyear	1R12-069 1R12-1204
Contitech	65990 P27910-4P577
Automann	1DK23I-8813
OEM	C816000 C81-1003 C81-6000 AS8813

REVERSIBLE SLEEVE

F8852 for Peterbilt Trucks

Top Mounting Type	Bottom Mounting Type
Stud	Piston

Extended Length	Compressed Length	Weight
23.5 inch	6.7 inch	13.27 lbs



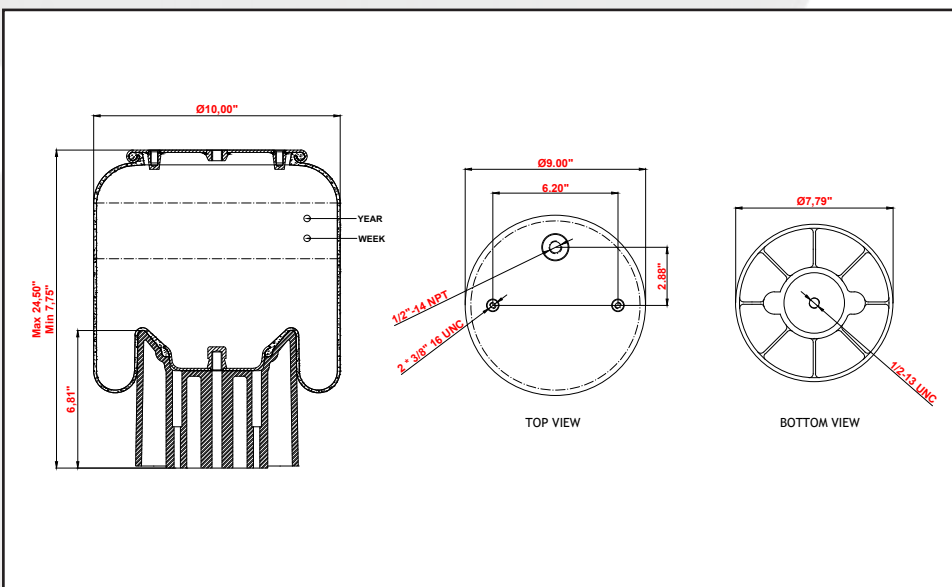
Bellows Diameter	10 inch
Piston Height	5.6 inch
Piston Width	10.24 inch
Top Plate Width	9.0 inch

Cross Reference	
Firestone	W01-358-8852
Goodyear	1R12-568 1R12-1058
Contitech	64339 910-19P472
Automann	1DK23L-8852
OEM	03-07887 AS8852

F8864 for Peterbilt and Kenworth Trucks

Top Mounting Type	Bottom Mounting Type
Stud	Piston

Extended Length	Compressed Length	Weight
24.5 inch	7.75 inch	13.45 lbs



Bellows Diameter	10 inch
Piston Height	6.81 inch
Piston Width	7.79 inch
Top Plate Width	9.0 inch

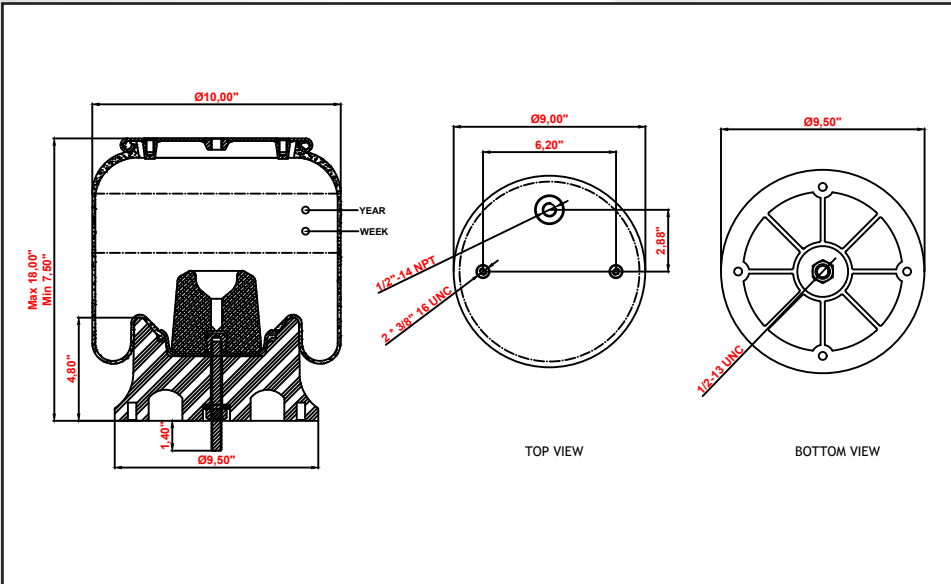
Cross Reference	
Firestone	W01-358-8864
Goodyear	1R12-1097
Contitech	66666 910-19P898
Automann	1DK23L-8864
OEM	03-08716 C-81-1011 C811013 AS8864

F9069 for Peterbilt Trucks



Top Mounting Type	Bottom Mounting Type
Stud	Piston

Extended Length	Compressed Length	Weight
18 inch	7.5 inch	13.48 lbs



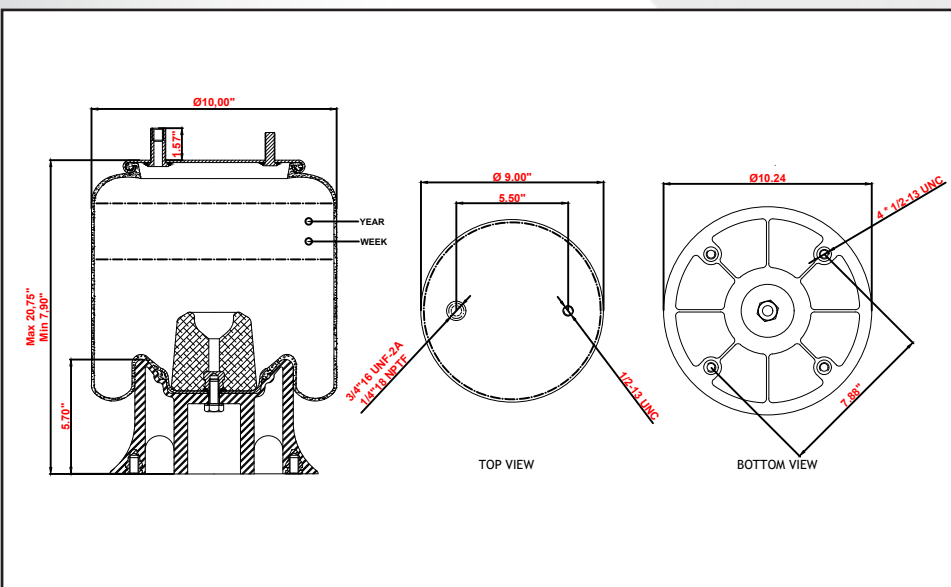
Bellows Diameter	10 inch
Piston Height	4.8 inch
Piston Width	9.5 inch
Top Plate Width	9.0 inch

Cross Reference	
Firestone	W01-358-9069
Goodyear	1R12-069 1R12-676
Contitech	64274 910-14P312
Automann	1DK23I-9069
OEM	85101145 03-01649 03-04759 910S16A382 C8166022 S-13031

F9082 for Hendrickson Suspension

Top Mounting Type	Bottom Mounting Type
Stud	Piston

Extended Length	Compressed Length	Weight
20.75 inch	7.9 inch	14.27 lbs



Bellows Diameter	10 inch
Piston Height	5.7 inch
Piston Width	10.24 inch
Top Plate Width	9.0 inch

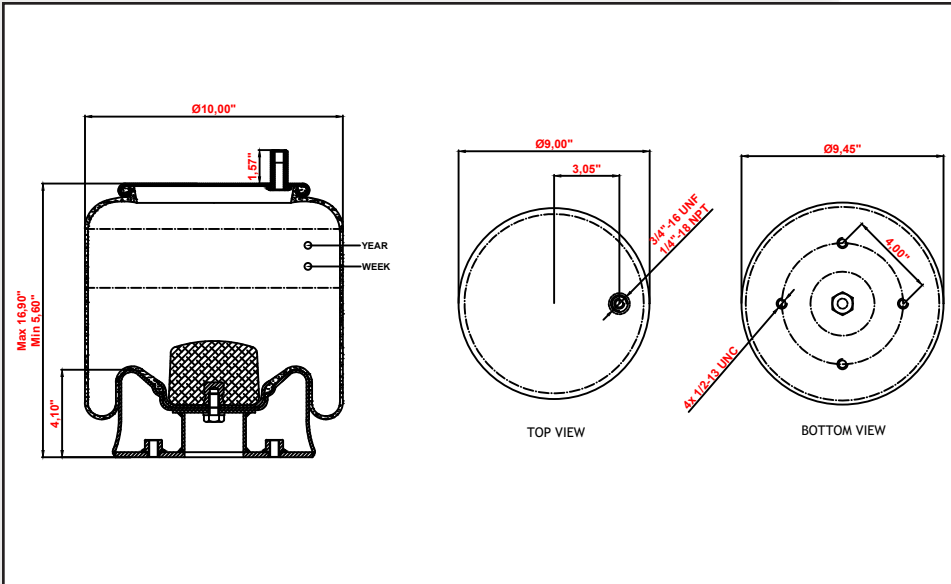
Cross Reference	
Firestone	W01-358-9082
Goodyear	1R12-092
Contitech	64269 910-16P310
Automann	1DK23K-9082
OEM	201869 90557006 3130491 90557037 B12514-007 S-2066 S-11651 AS9082

REVERSIBLE SLEEVE

F9270

Top Mounting Type	Bottom Mounting Type
Stud	Piston

Extended Length	Compressed Length	Weight
16.9 inch	5.6 inch	20.33 lbs



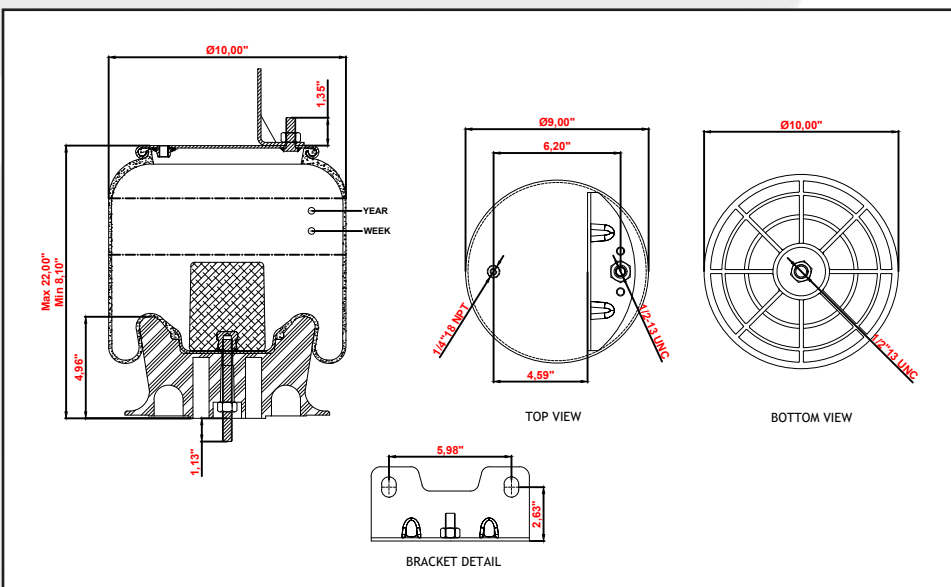
Bellows Diameter	10 inch
Piston Height	4.1 inch
Piston Width	9.45 inch
Top Plate Width	9.0 inch

Cross Reference	
Firestone	W01-358-9270
Goodyear	1R13-119
Contitech	64287 910-13.5S433
Automann	1DK23I-9270
OEM	85101147 1003589270C S-20010 S-21208 S-2559 AS9270

F9297

Top Mounting Type	Bottom Mounting Type
Bracket + Stud	Piston

Extended Length	Compressed Length	Weight
22 inch	8.1 inch	17.15 lbs



Bellows Diameter	10 inch
Piston Height	4.96 inch
Piston Width	10 inch
Top Plate Width	9.0 inch

Cross Reference	
Firestone	W01-358-9297
Goodyear	1R12-402
Contitech	66978 910-18.5P935
Automann	1DK23M-9297X
OEM	50898001 50898002 50898-2 64651-2 AS9297

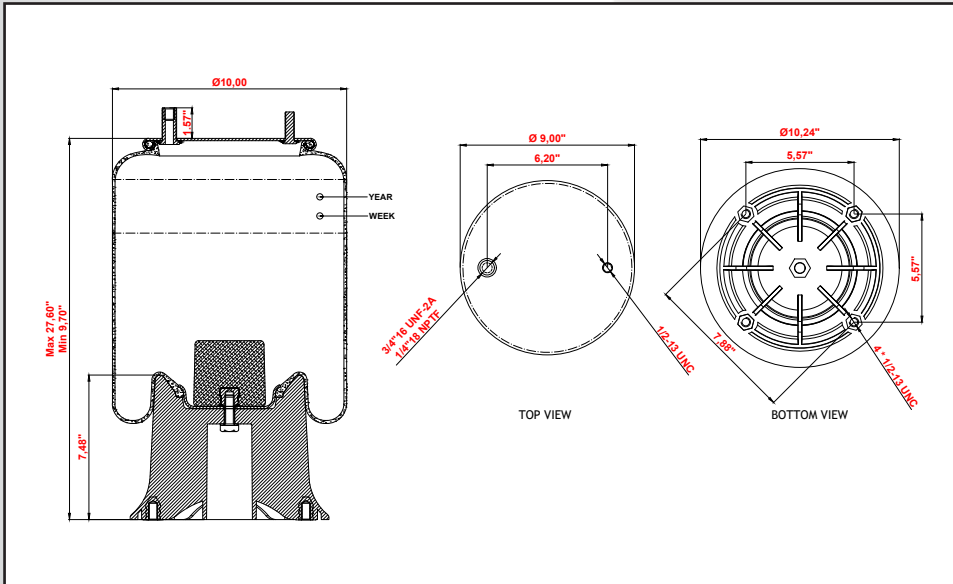
REVERSIBLE SLEEVE

F9321



Top Mounting Type	Bottom Mounting Type
Stud	Piston

Extended Length	Compressed Length	Weight
27.6 inch	9.7 inch	16.36 lbs



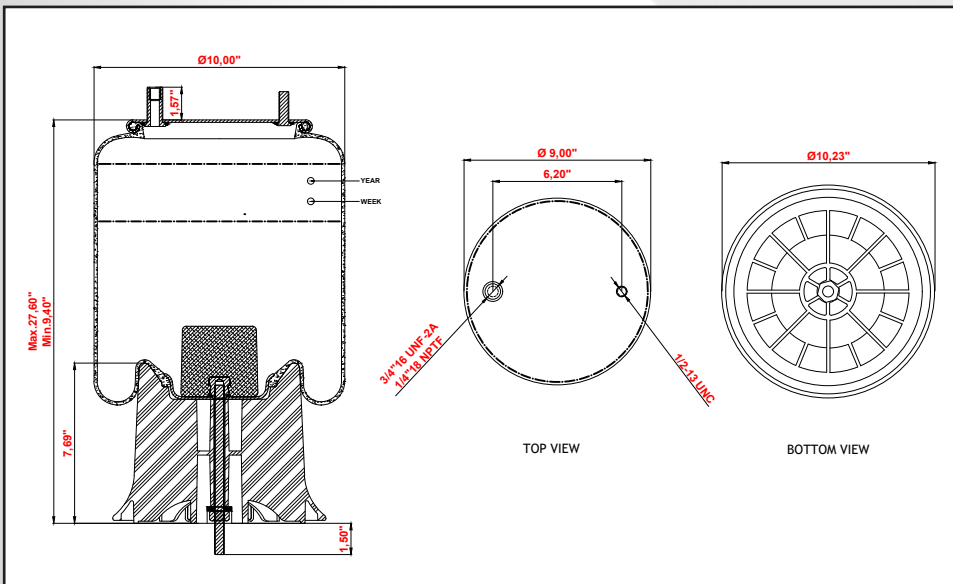
Bellows Diameter	10 inch
Piston Height	7.48 inch
Piston Width	10.24 inch
Top Plate Width	9.0 inch

Cross Reference	
Firestone	W01-358-9321
Goodyear	1R12-256 1R12-335
Contitech	64715 910-21A361
Automann	1DK23N-9321A
OEM	3529321 57009321 85101160 B-14249 AS9321

F9370

Top Mounting Type	Bottom Mounting Type
Stud	Piston

Extended Length	Compressed Length	Weight
27.6 inch	9.4 inch	16.78 lbs



Bellows Diameter	10 inch
Piston Height	7.69 inch
Piston Width	10.23 inch
Top Plate Width	9.0 inch

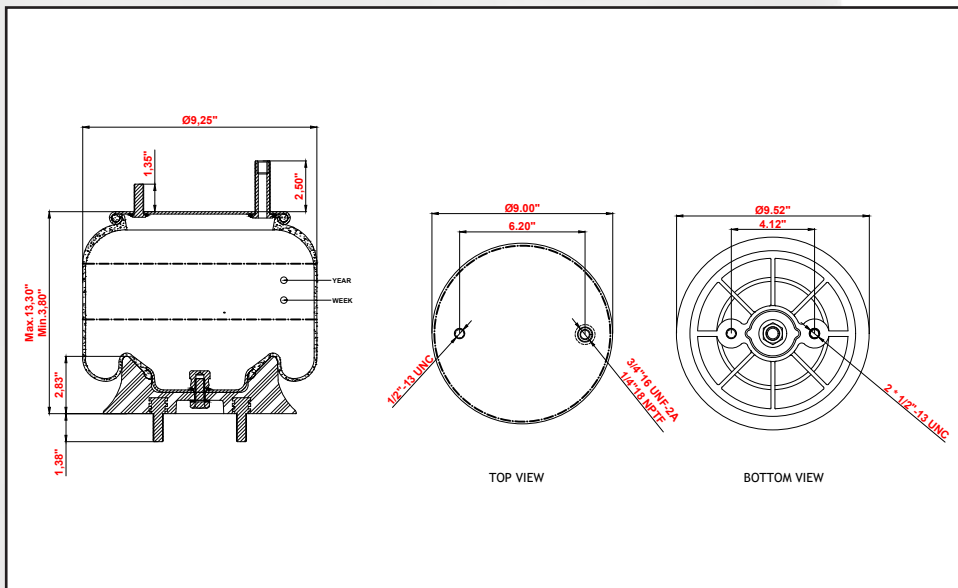
Cross Reference	
Firestone	W01-358-9370
Goodyear	1R12-440 1R12-580
Contitech	64383 910-21P448
Automann	1DK23N-9370
OEM	1003589370C AS9370

REVERSIBLE SLEEVE

F9422 for Kenworth Trucks

Top Mounting Type	Bottom Mounting Type
Stud	Piston

Extended Length	Compressed Length	Weight
13.3 inch	3.8 inch	10.41 lbs



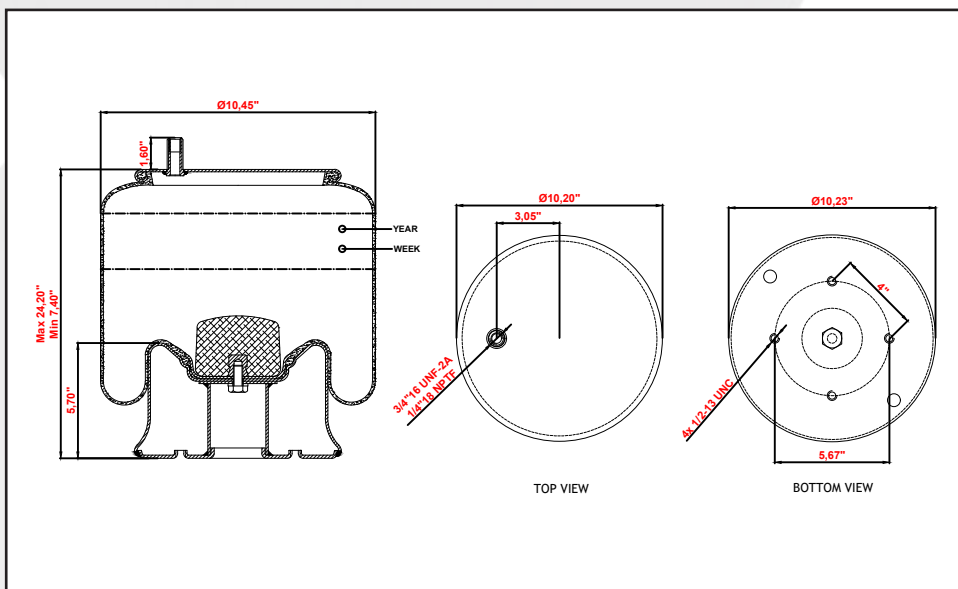
Bellows Diameter	9.25 inch
Piston Height	2.83 inch
Piston Width	9.52 inch
Top Plate Width	9.00 inch

Cross Reference	
Firestone	W01-358-9422
Goodyear	1R11-028
Contitech	64255 99-12P314
Automann	1DK20D-9422
OEM	57009422 85101148 554762C1 K303-6 K303-14 K303-15 S-13032 AS9422

F9580

Top Mounting Type	Bottom Mounting Type
Stud	Piston

Extended Length	Compressed Length	Weight
24.2 inch	7.4 inch	24.5 lbs



Bellows Diameter	10.45 inch
Piston Height	5.7 inch
Piston Width	10.23 inch
Top Plate Width	10.2 inch

Cross Reference	
Firestone	W01-358-8792 W01-358-9122 W01-358-9580
Goodyear	1R13-038 1R14-045 1R13-118 1R13-144
Contitech	64273 1110.5-21A313
Automann	1D28C-9122
OEM	309862, 90557020 90557071 36514-2, S12514008 S-20127, S-20414, AS9580, AS8792

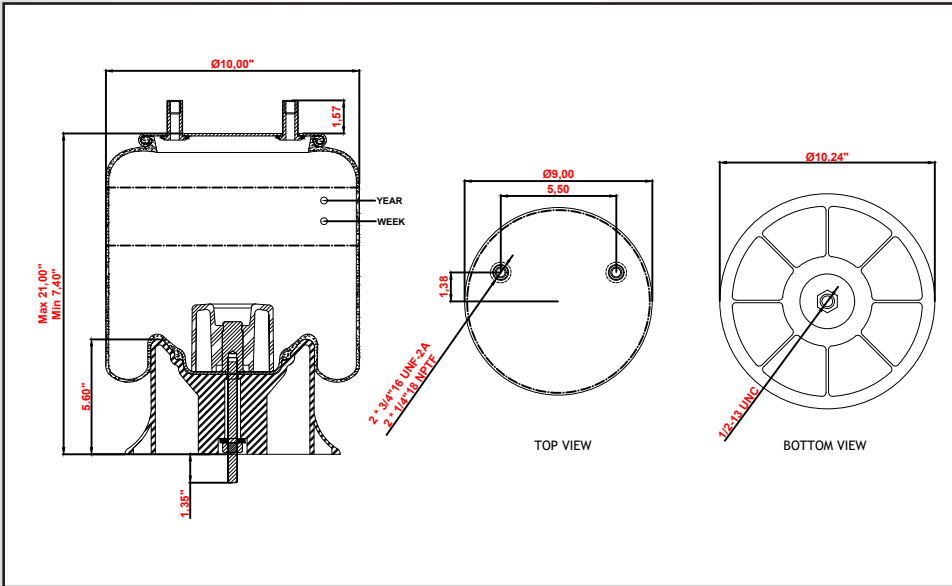
REVERSIBLE SLEEVE

F9644



Top Mounting Type	Bottom Mounting Type
Stud	Piston

Extended Length	Compressed Length	Weight
21 inch	7.4 inch	13.96 lbs



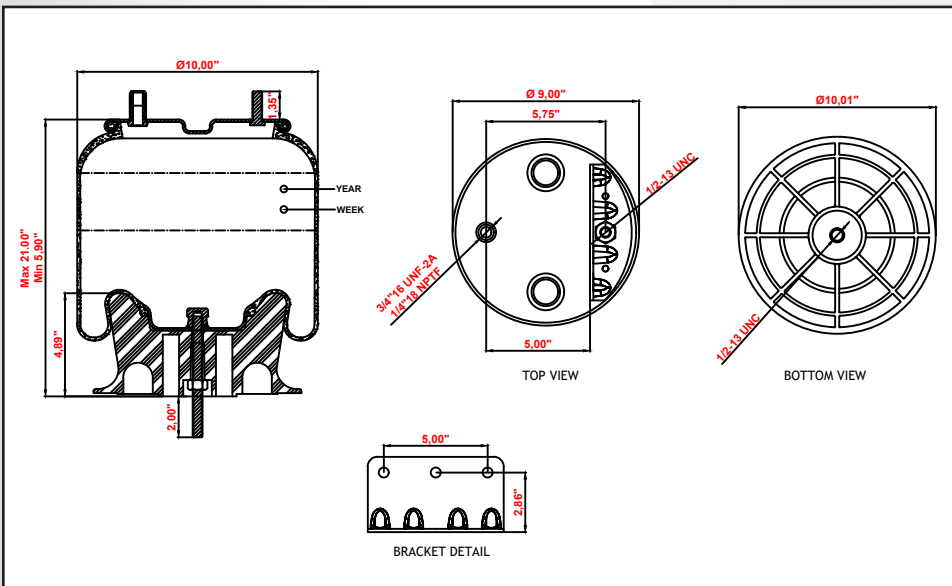
Bellows Diameter	10 inch
Piston Height	5.6 inch
Piston Width	10.24 inch
Top Plate Width	9.0 inch

Cross Reference	
Firestone	W01-358-9644
Goodyear	1R12-1182
Contitech	64693 910BP-16P569
Automann	1DK23J-9644
OEM	S-23721 AS9644

F9648 for Navistar Trucks

Top Mounting Type	Bottom Mounting Type
Bracket + Stud	Piston

Extended Length	Compressed Length	Weight
21 inch	5.9 inch	15.17 lbs



Bellows Diameter	10 inch
Piston Height	4.89 inch
Piston Width	10.01 inch
Top Plate Width	9.0 inch

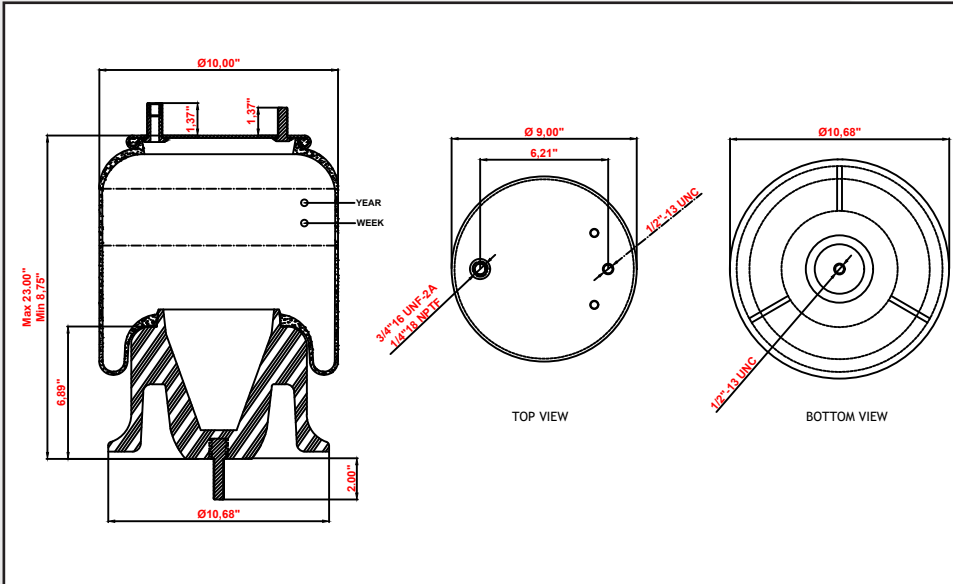
Cross Reference	
Firestone	W01-358-9648
Goodyear	1R12-398 1R12-538
Contitech	73770 910S-16P1068
Automann	1DF23-P1058
OEM	2027911C1 2027911C2 2027911C3 1R12-1057 AS9648

REVERSIBLE SLEEVE

F9780 for Freightliner Trucks

Top Mounting Type	Bottom Mounting Type
Stud	Piston

Extended Length	Compressed Length	Weight
23 inch	8.75 inch	14.25 lbs



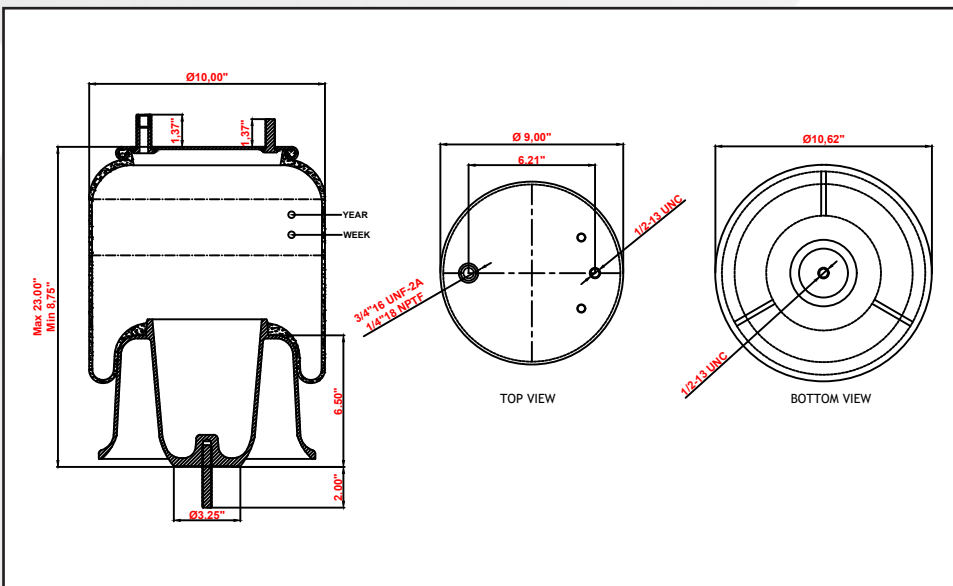
Bellows Diameter	10 inch
Piston Height	6.89 inch
Piston Width	10.68 inch
Top Plate Width	9.0 inch

Cross Reference	
Firestone	W01-358-9780
Goodyear	1R12-189 1R12-303
Contitech	67473 910S-16P382
Automann	1DF23-9780
OEM	16-13810-000 16-13810-001 16-13810-002 16-13840-000 16-14377-000 85101151 1R12-1054 AS9780

F9781 for Freightliner Trucks

Top Mounting Type	Bottom Mounting Type
Stud	Piston

Extended Length	Compressed Length	Weight
23 inch	8.75 inch	13.67 lbs



Bellows Diameter	10 inch
Piston Height	6.5 inch
Piston Width	10.62 inch
Top Plate Width	9.0 inch

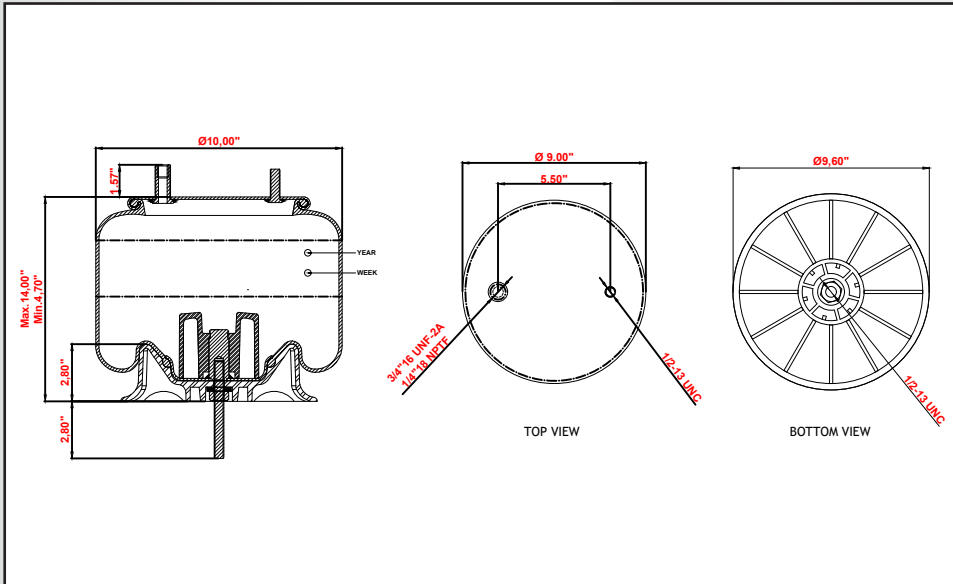
Cross Reference	
Firestone	W01-358-9781
Goodyear	1R12-603
Contitech	64266 910S-16A382
Automann	1DF23-9781
OEM	681-320-0017 16-13840-000 16-16773-000 AS9781

F9807



Top Mounting Type	Bottom Mounting Type
Stud	Piston

Extended Length	Compressed Length	Weight
14 inch	4.7 inch	10.54 lbs



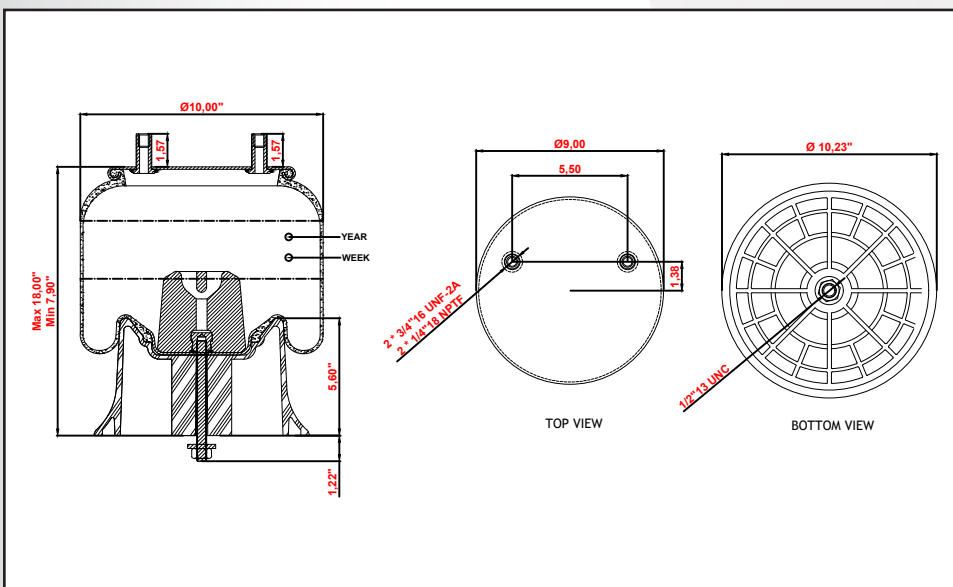
Bellows Diameter	10 inch
Piston Height	2.8 inch
Piston Width	9.6 inch
Top Plate Width	9.0 inch

Cross Reference	
Firestone	W01-358-9807
Goodyear	1R12-1047
Contitech	68151 910-13.5P874
Automann	1DK23I-9807
OEM	50857000 90557372 AS9807

F9978

Top Mounting Type	Bottom Mounting Type
Stud	Piston

Extended Length	Compressed Length	Weight
18 inch	7.9 inch	13.87 lbs



Bellows Diameter	10 inch
Piston Height	5.6 inch
Piston Width	10.23 inch
Top Plate Width	9.0 inch

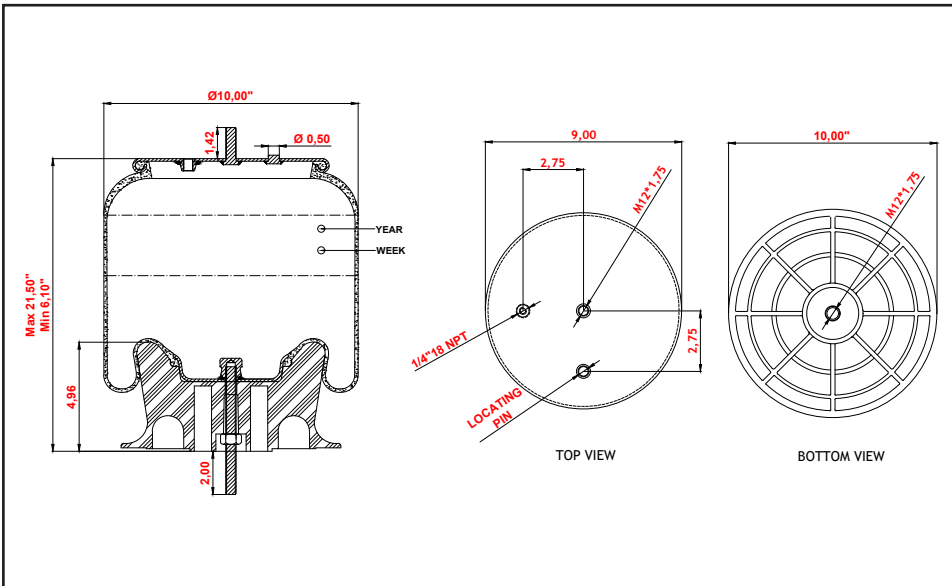
Cross Reference	
Firestone	W01-358-9978
Goodyear	1R12-1179 1R12-1224
Contitech	67588 910-14P959
Automann	1DK23I-A959
OEM	S-28929 C-28929 AS9978

REVERSIBLE SLEEVE

F1206

Top Mounting Type	Bottom Mounting Type
Stud	Piston

Extended Length	Compressed Length	Weight
21.5 inch	6.1 inch	13.16 lbs



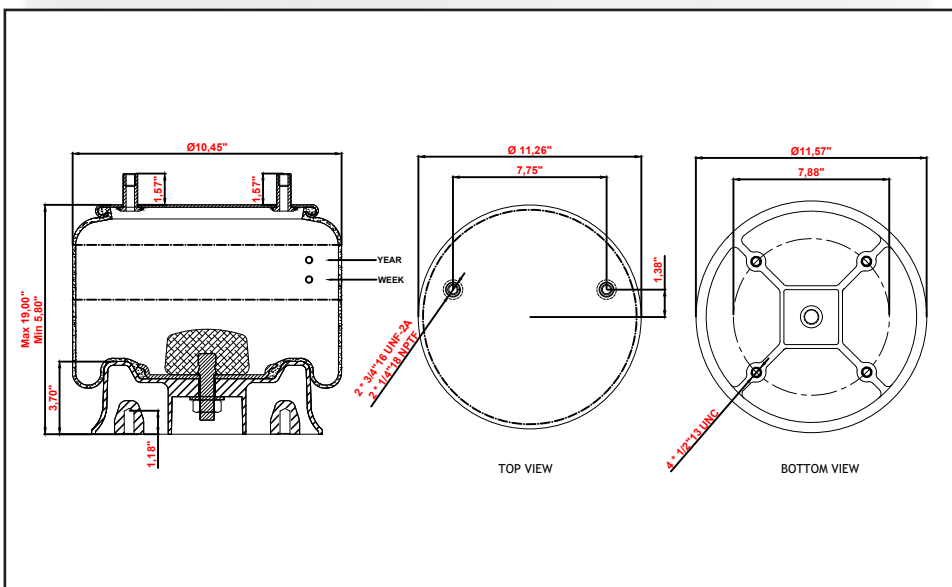
Bellows Diameter	10 inch
Piston Height	4.96 inch
Piston Width	10 inch
Top Plate Width	9.0 inch

Cross Reference	
Firestone	W01-358-9069
Goodyear	1R12-069 1R12-676
Contitech	64274 910-14P312
Automann	1DK231-9069
OEM	03-01649 03-04759 85101145 554764C S-13031 AS9069

F8050

Top Mounting Type	Bottom Mounting Type
Stud	Piston

Extended Length	Compressed Length	Weight
19 inch	5.8 inch	19.65 lbs



Bellows Diameter	10.45 inch
Piston Height	3.7 inch
Piston Width	11.57 inch
Top Plate Width	11.26 inch

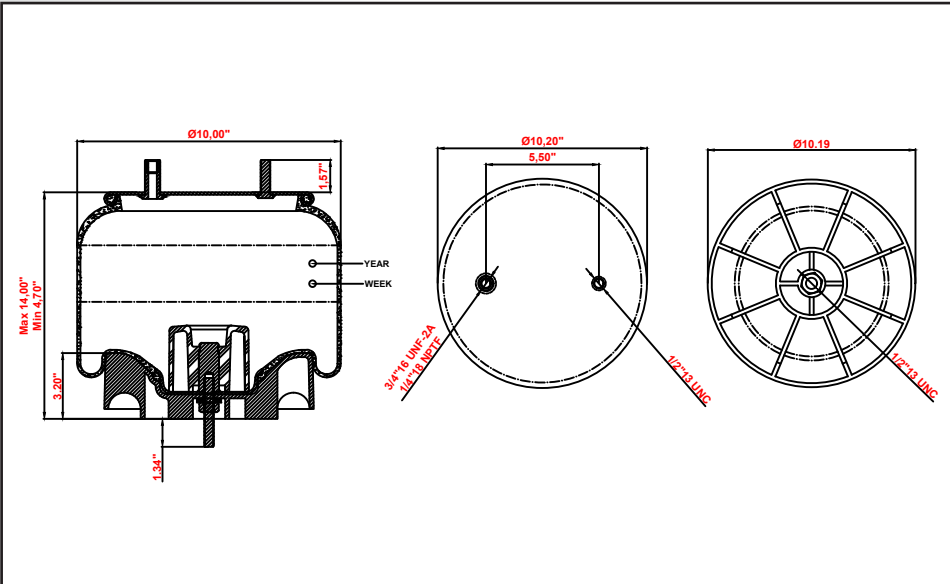
Cross Reference	
Firestone	W01-358-8050
Goodyear	1R14-039
Contitech	64254 1110.5C-16A320
Automann	1DK28A-8050
OEM	201680 3130498 B12514013 1685174C1 B-4771 S-4771 AS8050

F8729



Top Mounting Type	Bottom Mounting Type
Stud	Piston

Extended Length	Compressed Length	Weight
14 inch	4.7 inch	12.39 lbs



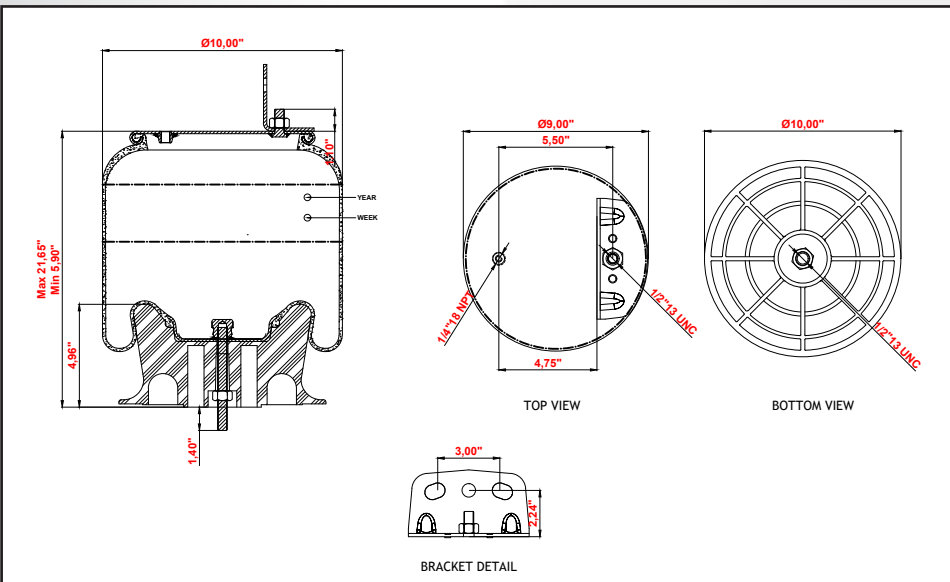
Bellows Diameter	10 inch
Piston Height	3.2 inch
Piston Width	10.19 inch
Top Plate Width	10.2 inch

Cross Reference	
Firestone	W01-358-8729
Goodyear	1R13-130 1R13-261
Contitech	64220, 75741 77963 1010A-12P1330
Automann	AB1DK25D8729
OEM	202796, AS6897 1010AV13P513 A2258F1410 A2258E1461 83176122

F8829

Top Mounting Type	Bottom Mounting Type
Bracket + Stud	Piston

Extended Length	Compressed Length	Weight
21.65 inch	5.9 inch	14.51 lbs



Bellows Diameter	10 inch
Piston Height	4.96 inch
Piston Width	10 inch
Top Plate Width	9.0 inch

Cross Reference	
Firestone	W01-358-8829
Goodyear	1R12-405 1R12-595 1R12-615
Contitech	74884 910S-17P1154
Automann	1DF23H-P1154
OEM	20396293 20535399 3934699 8097092 57QL54M AS8829

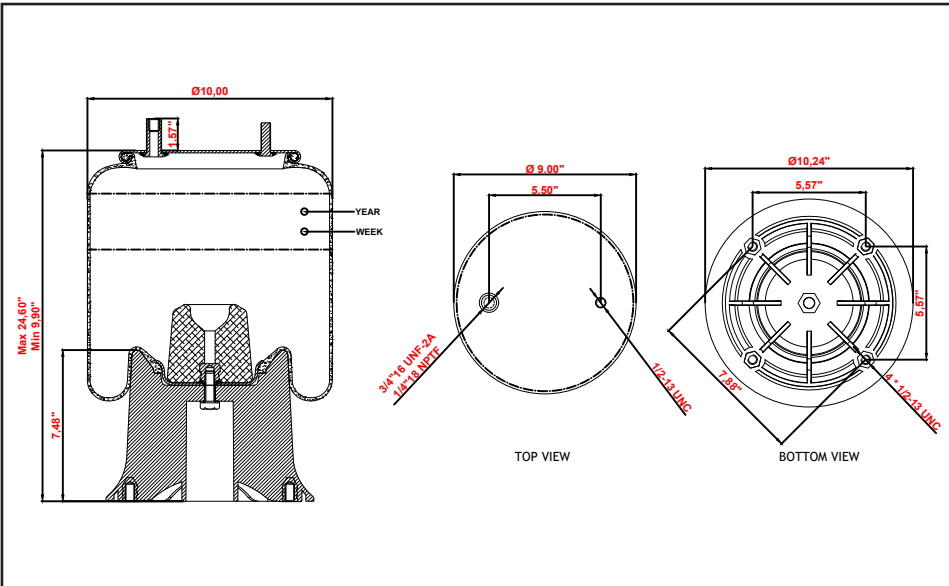
F9101

Top Mounting Type	Bottom Mounting Type
Stud	Piston

Extended Length	Compressed Length	Weight
24.6 inch	9.9 inch	16.33 lbs

Bellows Diameter	10 inch
Piston Height	7.48 inch
Piston Width	10.24 inch
Top Plate Width	9.0 inch

Cross Reference	
Firestone	W01-358-9101
Goodyear	1R12-076 1R12-103
Contitech	64279 910-19P315
Automann	1DK23L-9101
OEM	3130490 90557008 90557082 B-3842 S-10443 AS9101



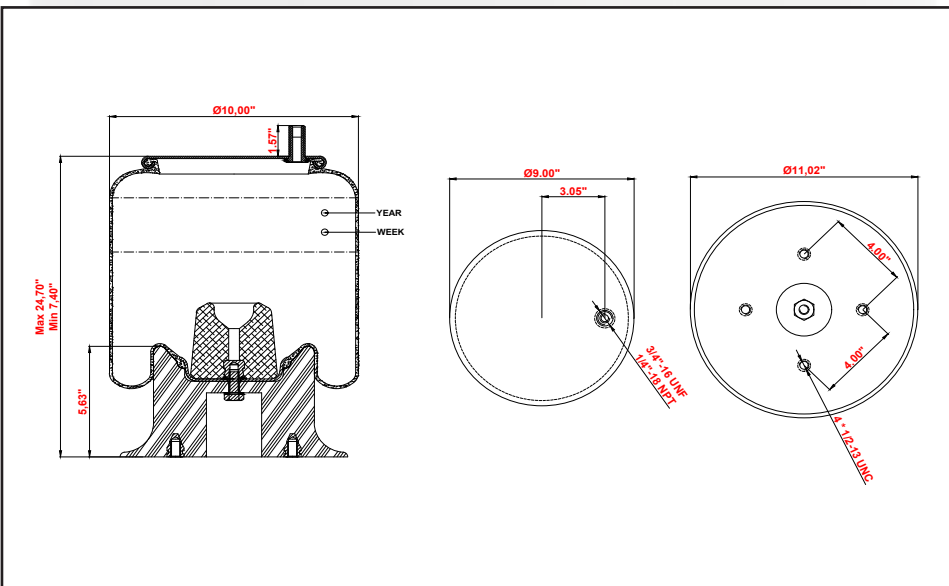
F9265

Top Mounting Type	Bottom Mounting Type
Stud	Piston

Extended Length	Compressed Length	Weight
24.7 inch	7.4 inch	14.35 lbs

Bellows Diameter	10 inch
Piston Height	5.63 inch
Piston Width	11.02 inch
Top Plate Width	9.0 inch

Cross Reference	
Firestone	W01-358-9265
Goodyear	1R12-375
Contitech	64288 910-19P435
Automann	1DK23L-9265
OEM	85101155 C-20413 S-20124 S-20413 AS9265

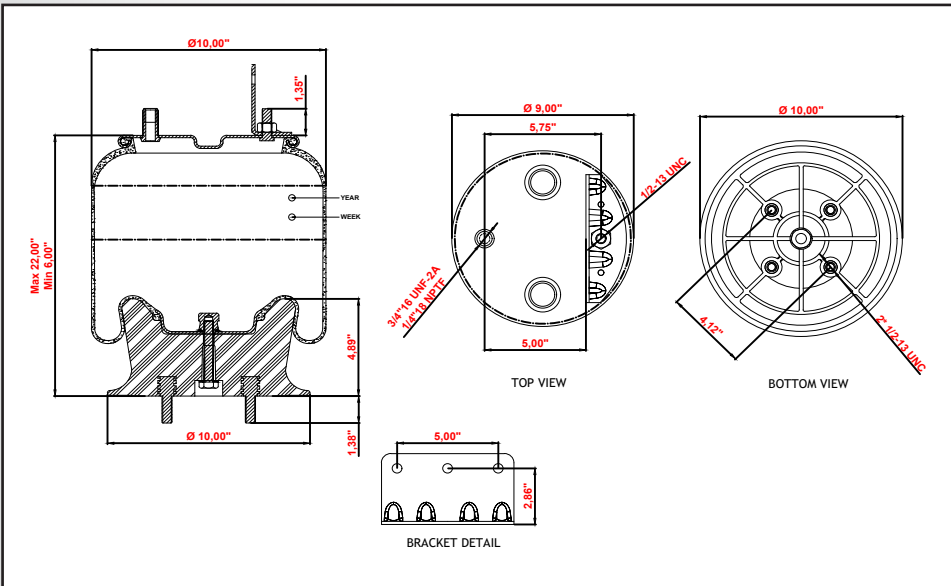


F9371



Top Mounting Type	Bottom Mounting Type
Bracket + Stud	Piston

Extended Length	Compressed Length	Weight
22 inch	6 inch	15.96 lbs



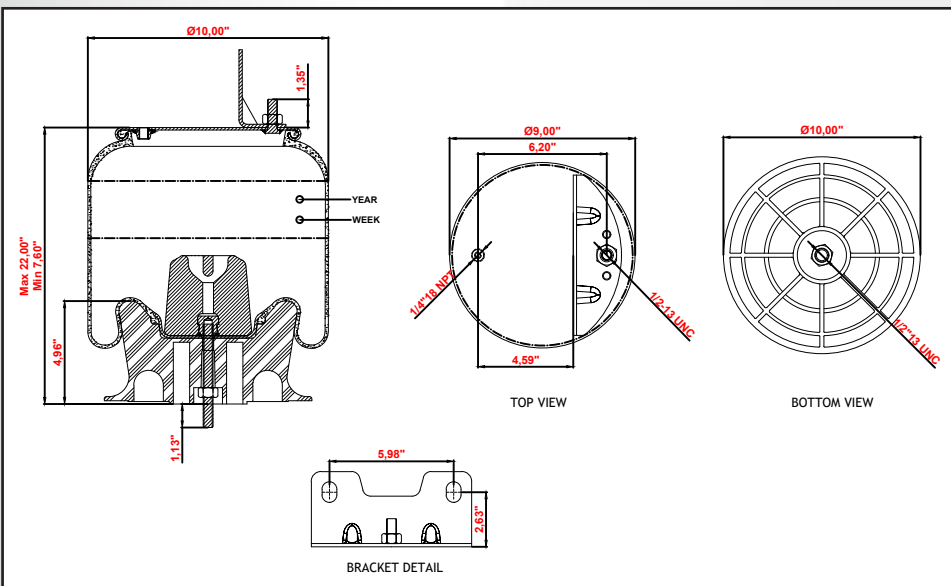
Bellows Diameter	10 inch
Piston Height	4.89 inch
Piston Width	10 inch
Top Plate Width	9.0 inch

Cross Reference	
Firestone	W01-358-9371
Goodyear	1R12-401 1S12-244
Contitech	69646 910-18.5P521
Automann	1DK23L9371
OEM	1670043C1 1670073C1 1R12-1062 AS9371

F9373 for Hendrickson HAS360, 400, 402 & 460 Series

Top Mounting Type	Bottom Mounting Type
Bracket + Stud	Piston

Extended Length	Compressed Length	Weight
22 inch	7.6 inch	16.82 lbs



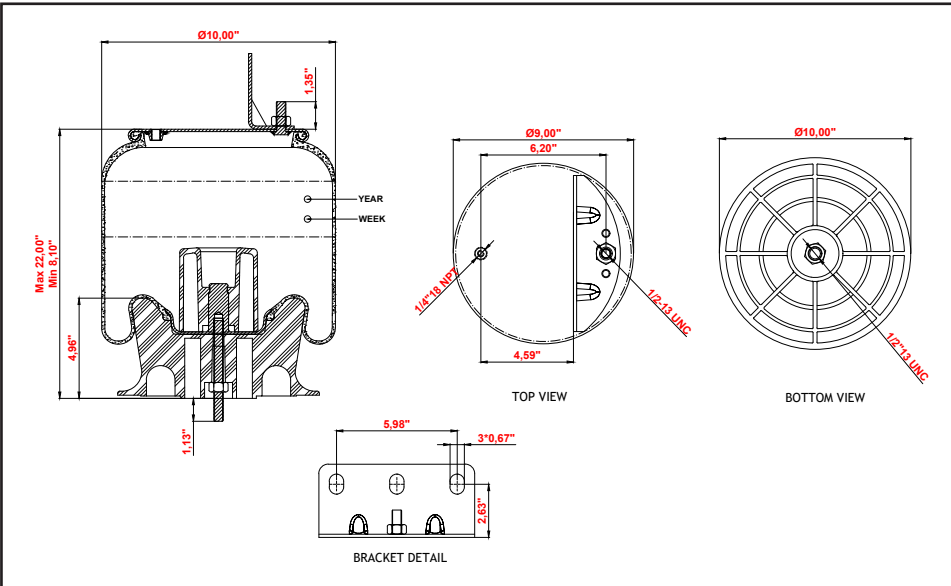
Bellows Diameter	10 inch
Piston Height	4.96 inch
Piston Width	10 inch
Top Plate Width	9.0 inch

Cross Reference	
Firestone	W01-358-9373
Goodyear	1R12-403 1S12-030
Contitech	64265 910-18.5P519
Automann	1DK23M-9373
OEM	2992101C1 1R12-1056 57122-1 57122-1 AS9373

F9375 Rear Model, HAS for Mack

Top Mounting Type	Bottom Mounting Type
Bracket + Stud	Piston

Extended Length	Compressed Length	Weight
22 inch	8.1 inch	15.83 lbs



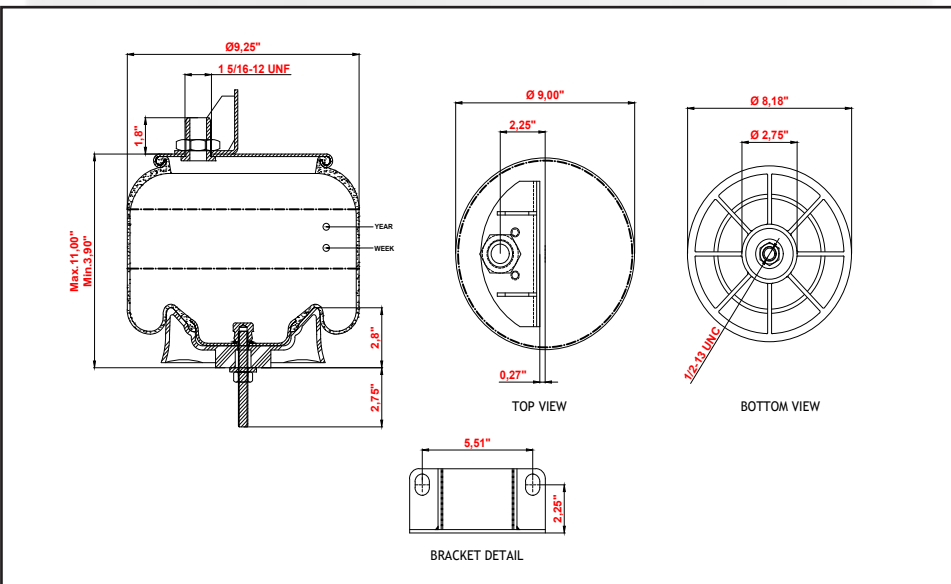
Bellows Diameter	10 inch
Piston Height	4.96 inch
Piston Width	10 inch
Top Plate Width	9.0 inch

Cross Reference	
Firestone	W01-358-9375
Goodyear	1R12-404 1R12-488
Contitech	62624 68616 910-18.5P451
Automann	1DK23M-9375X
OEM	50899-1 50899-2 50899-002L 364SQ27 57QL414M AS9375

F9622

Top Mounting Type	Bottom Mounting Type
Bracket + Stud	Piston

Extended Length	Compressed Length	Weight
11 inch	3.9 inch	11.09 lbs



Bellows Diameter	9.25 inch
Piston Height	2.8 inch
Piston Width	8.18 inch
Top Plate Width	9.0 inch

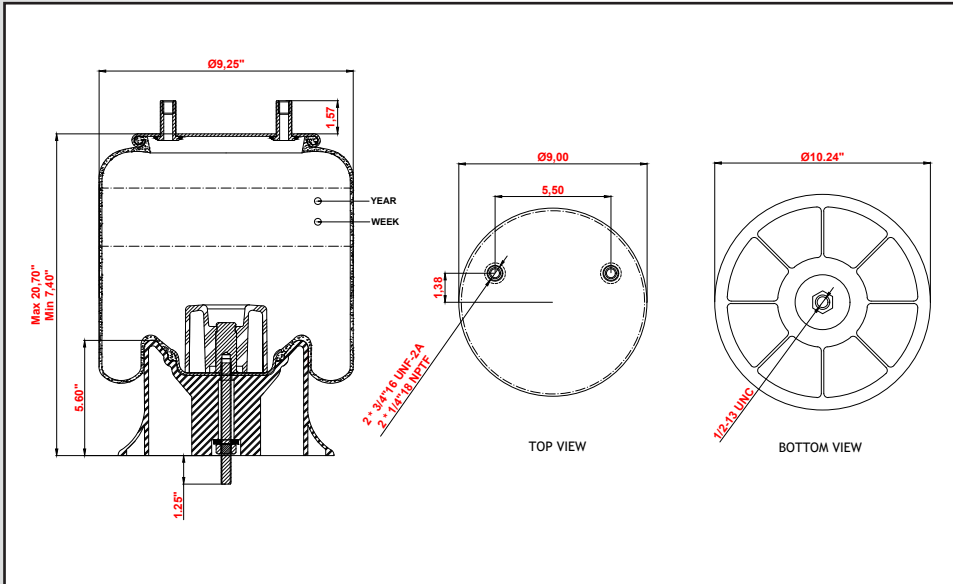
Cross Reference	
Firestone	W01-358-9622
Goodyear	1R11-221
Contitech	68359 99-9P537
Automann	1DK20G-9622X
OEM	K303-22 AS9622

F9626



Top Mounting Type	Bottom Mounting Type
Stud	Piston

Extended Length	Compressed Length	Weight
20.7 inch	7.4 inch	13.82 lbs



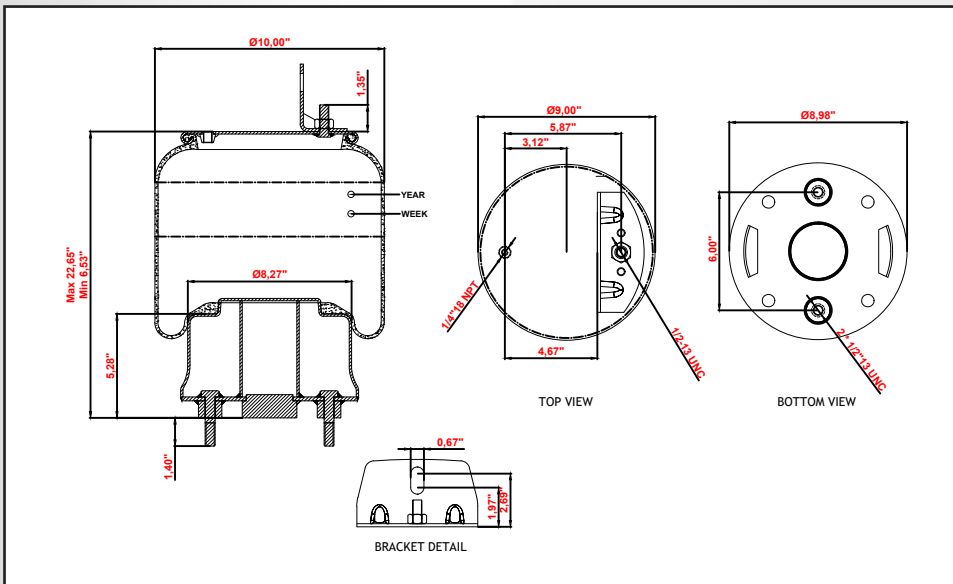
Bellows Diameter	9.25 inch
Piston Height	5.60 inch
Piston Width	10.24 inch
Top Plate Width	9.0 inch

Cross Reference	
Firestone	W01-358-9626
Goodyear	1R11-292
Contitech	64692 99-16P568
Automann	1DK20J-9626
OEM	A2258N1678 S-23720 AS9626

F9865

Top Mounting Type	Bottom Mounting Type
Stud	Piston

Extended Length	Compressed Length	Weight
22.65 inch	6.53 inch	22.05 lbs



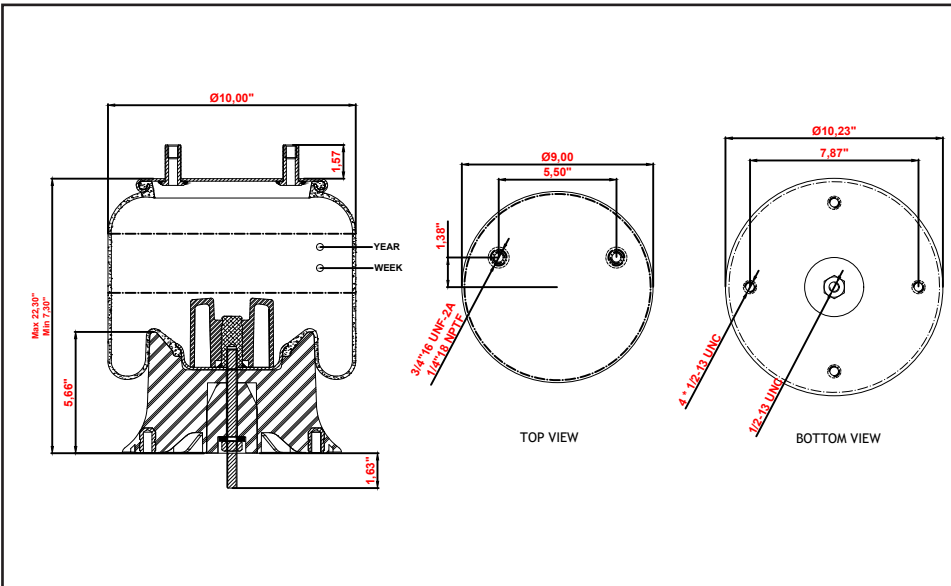
Bellows Diameter	10 inch
Piston Height	5.28 inch
Piston Width	8.98 inch
Top Plate Width	9.0 inch

Cross Reference	
Firestone	W01-358-9865
Goodyear	1R12-1212
Contitech	75266 910BS-17P1192
Automann	AB1DK23M-9865 AB1DF23K-9865
OEM	67043-002 21217038 23563385

F9974

Top Mounting Type	Bottom Mounting Type
Stud	Piston

Extended Length	Compressed Length	Weight
22.3 inch	7.3 inch	14.73 lbs



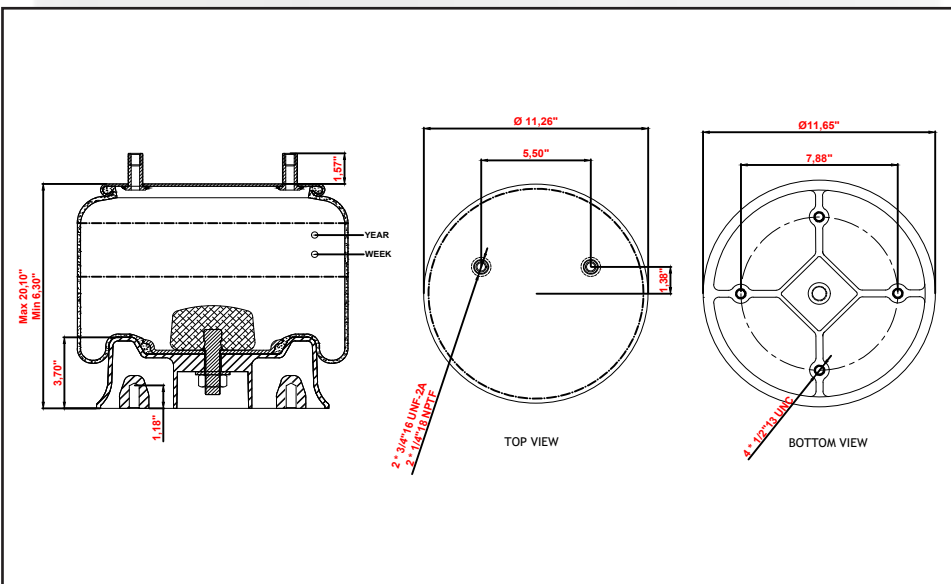
Bellows Diameter	10 inch
Piston Height	5.66 inch
Piston Width	10.23 inch
Top Plate Width	9.0 inch

Cross Reference	
Firestone	W01-358-9974
Goodyear	1R12-1048
Contitech	67586 910-17.5A930
Automann	1DK23P-9974
OEM	90557332 AS9974

FA213

Top Mounting Type	Bottom Mounting Type
Stud	Piston

Extended Length	Compressed Length	Weight
20.1 inch	6.3 inch	20.28 lbs



Bellows Diameter	10.45 inch
Piston Height	3.7 inch
Piston Width	11.65 inch
Top Plate Width	11.26 inch

Cross Reference	
Contitech	69690 1110.5E-18A213
Automann	1DK28G-A213
OEM	905-57-409



KEY BENEFITS

Engineered for Commercial Duty

- **Heavy-Duty Trucks**
- **Buses and Coaches**
- **Trailers**
- **Pickup Trucks**
- **SUVs**

Engineered for far greater loads, durability, and continuous operation. Built with reinforced rubber, multiple fabric plies, and heavy-gauge mounting components, they support tens of thousands of pounds per axle while maintaining consistent ride height through mechanical height control valves. Designed to prioritize longevity, stability, and compliance, these air springs deliver reliable load leveling, improved ride quality, and reduced component wear in the most demanding commercial applications.

Enhance Ride Comfort

Designed to reduce the impact of road vibrations and uneven surfaces. By cushioning the truck from road shocks, air springs help maintain a smoother ride, even when driving on rough terrain. This not only improves driver comfort but also reduces wear and tear on the vehicle's components.

Increased Load Capacity

One of the significant advantages of air springs is their ability to support heavier loads compared to traditional suspension systems. By adjusting the air pressure within the springs, trucks can handle varying loads without compromising stability or safety. This makes air springs ideal for commercial trucks, which often carry heavy cargo over long distances.

Improved Stability and Control

FCS Air springs provide superior stability by maintaining consistent vehicle height, regardless of load weight. This stability is essential for trucks carrying uneven or shifting loads, as it helps prevent sway and roll during sharp turns or sudden maneuvers. Air springs also improve braking performance by keeping the truck level, ensuring all tires maintain proper contact with the road.

Reduced Maintenance Costs

Traditional suspension systems can wear out over time due to constant exposure to road shocks and heavy loads. Air springs, on the other hand, absorb much of the impact that would otherwise be transferred to the truck's frame and suspension. Thus, extending the lifespan of critical components, reducing overall maintenance costs.

Improve Fuel Efficiency

Properly inflated air springs help maintain optimal truck height, which can improve aerodynamics and reduce fuel consumption. This is especially important for long-haul trucks, where even small improvements in fuel efficiency can result in significant cost savings over time.

Enhanced Safety

Truck airbags play a vital role in ensuring the safety of both the vehicle and its occupants. By absorbing shocks, they reduce the risk of damage to the truck and the cargo, preventing costly repairs and accidents.

Load Management

Properly inflated airbags can distribute the load evenly across the truck's axles, preventing overloading and improving fuel efficiency. This not only saves on fuel costs but also extends the lifespan of the truck's suspension system.

CONTACT US
fcshd@fcsautoparts.com

OUR WEBSITE
www.fcsautoparts.com/fcs-heavy-duty/